

Barudan

HIGH SPEED AUTOMATIC EMBROIDERY MACHINE

MODEL **BESRE**
BEMRE
BEXE

PARTS LIST

BARUDAN CO., LTD.

ADDRESS 906 JOSUJI
ICHINOMIYA-CITY·AICHI-PREF·
JAPAN

TEL. <0586>76-1137

FAX. <0586>77-1499

TELEX 4573268 BARUNA J

CABLE BARUNA ICHINOMIYA

BESRE • BEMRE • BEXE

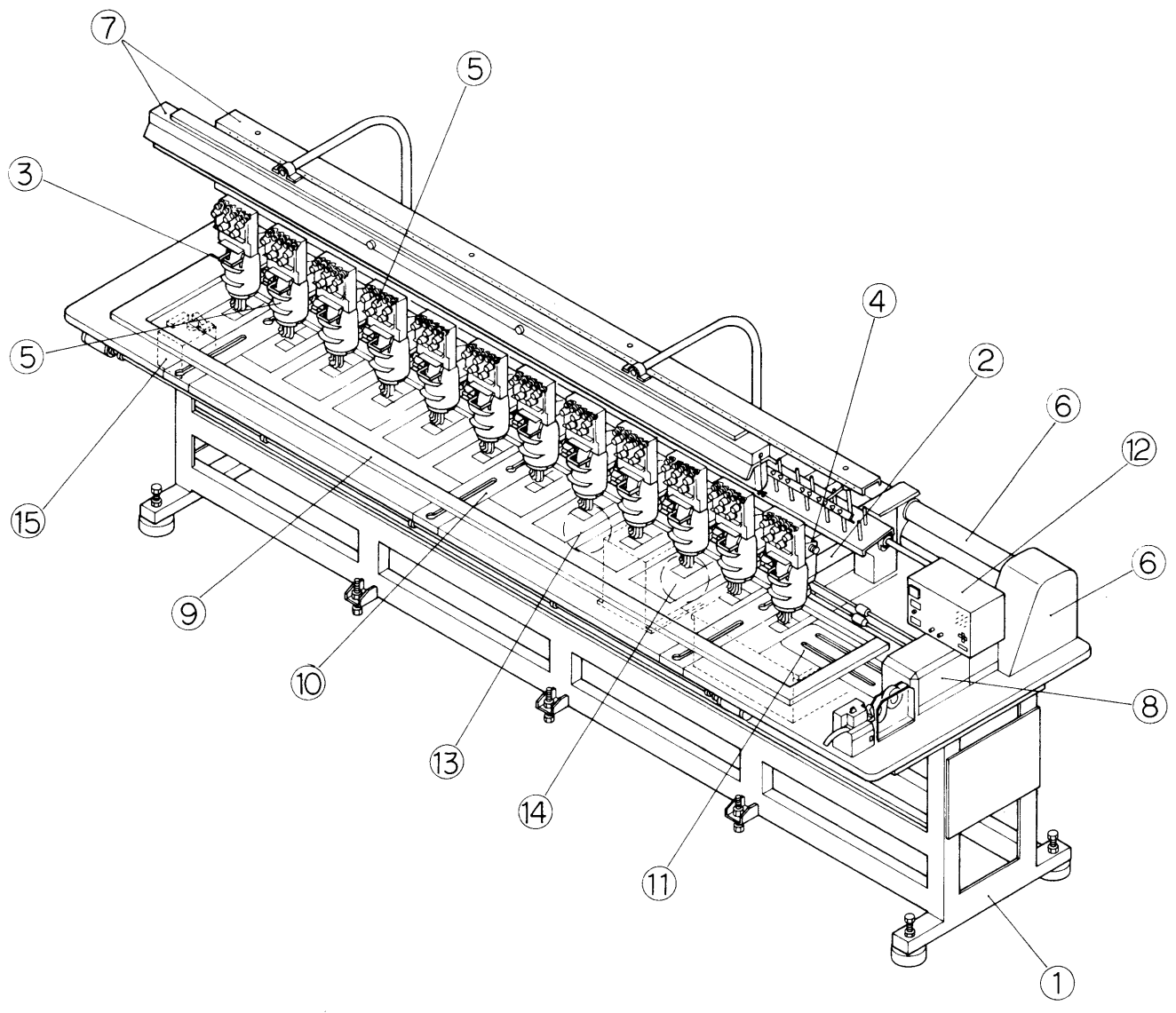
HIGH SPEED AUTOMATIC EMBROIDERY MACHIN

PART LIST

INDEX

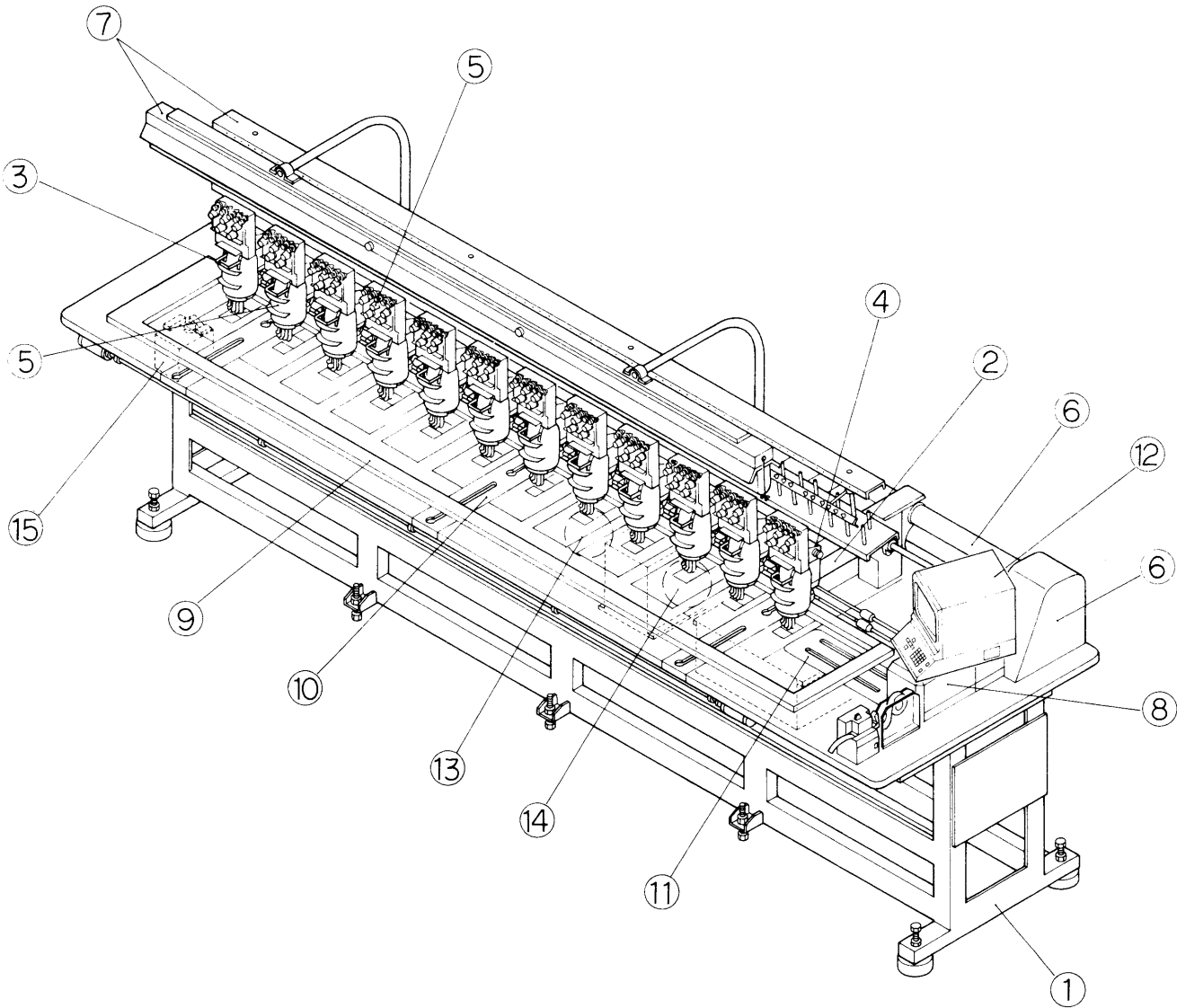
ITEM No.	Page No.
Machine layout { BESRE BEMRE BEXE	1
①Table ▪ Frame	4
②Sewing head	6
③Needle bar ▪ Take up lever mechanism	8
④Jamp mechanism (5 ▪ 7)	10
⑤Thread guide mechanism (5) I	12
⑤Thread guide mechanism (7) II	14
⑥Drive mechanism	16
⑦Option	18
⑧Color change mechanism	20
⑨Pantograph drive mechanism (V ▪ H-Direction) I-①	22
⑨Pantograph drive mechanism (V ▪ H-Direction) I-②	24
⑩Pantograph drive mechanism (H) II	26
⑪Pantograph drive mechanism (V) III	28
⑫Contorol system <BESRE>	30
⑫Contorol system <BEMRE>	32
⑫Contorol system <BEXE>	34
⑬Under thread cut sensorium mechanism I	36
⑬Under thread cut sensorium mechanism II	38
⑭Thread cutting mechanism I	40
⑭Thread cutting mechanism II	42
⑮Thread cutting drive mechanism <BESRE, BEXE> III	44
⑮Thread cutting drive mechanism <BEMRE> III	46

Machine layout <BESRE>



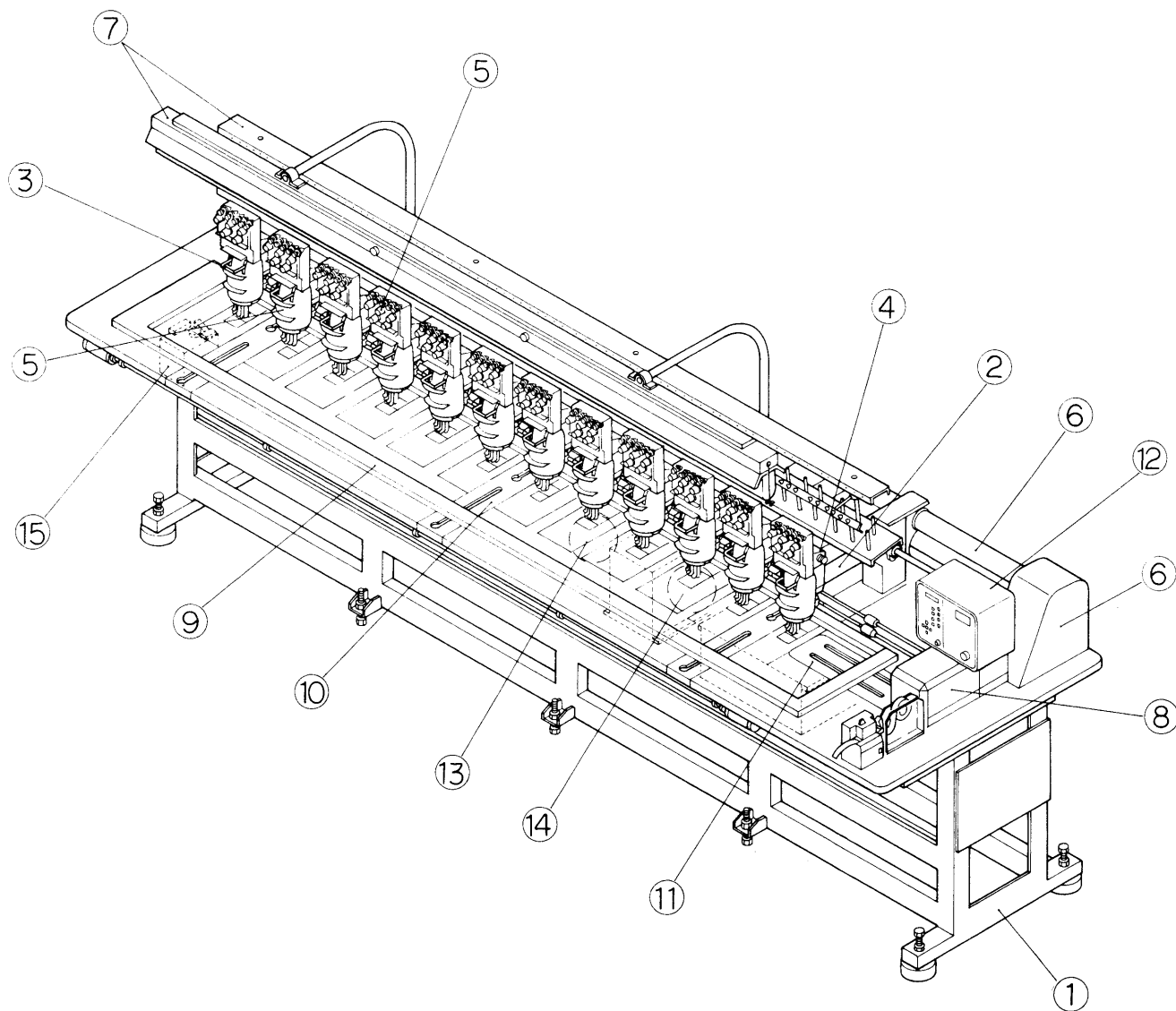
From the library of: Diamond Needle Corp

Machine layout <BEMRE>



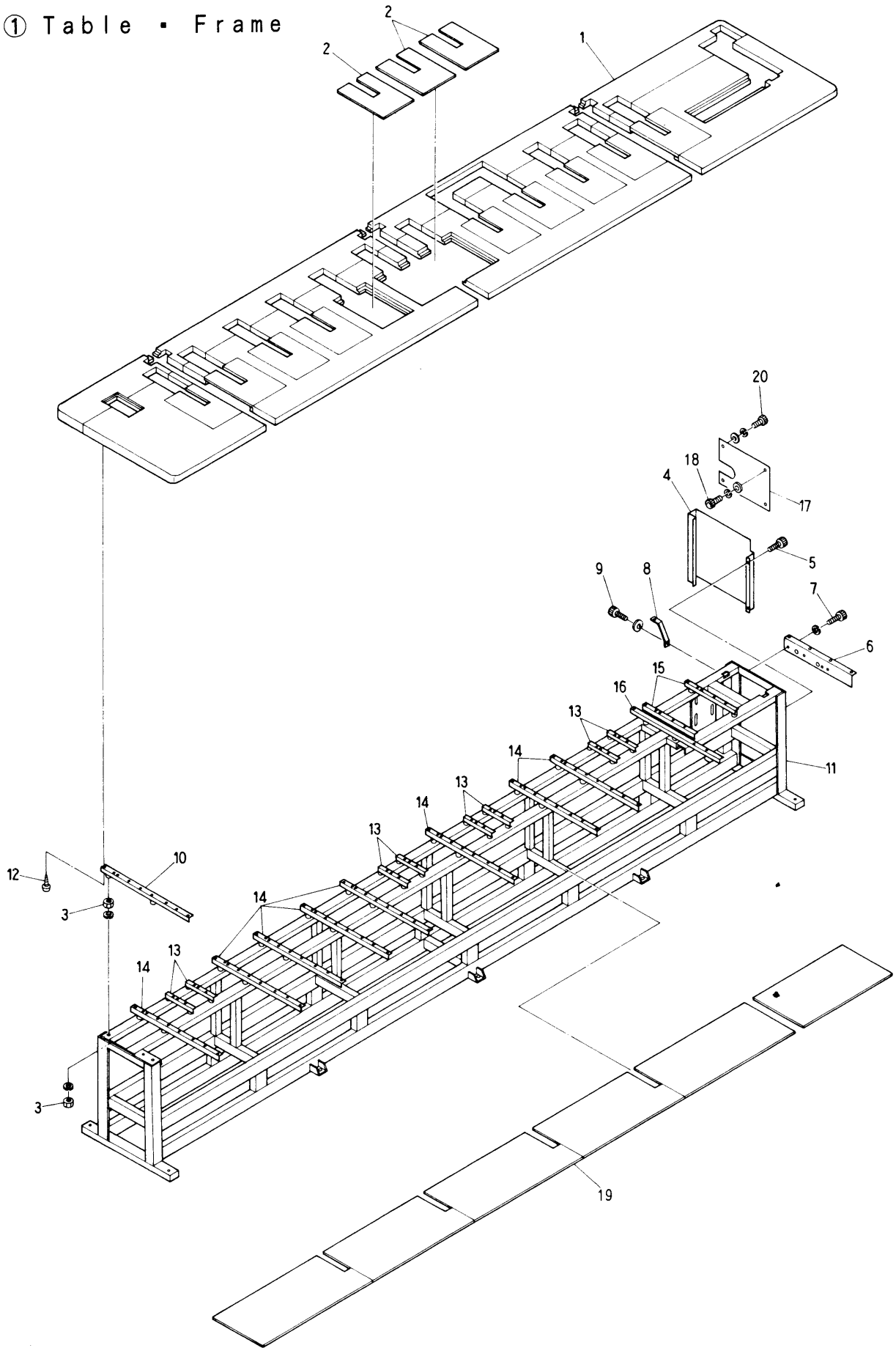
From the library of: Diamond Needle Corp

Machine layout <BEXE>

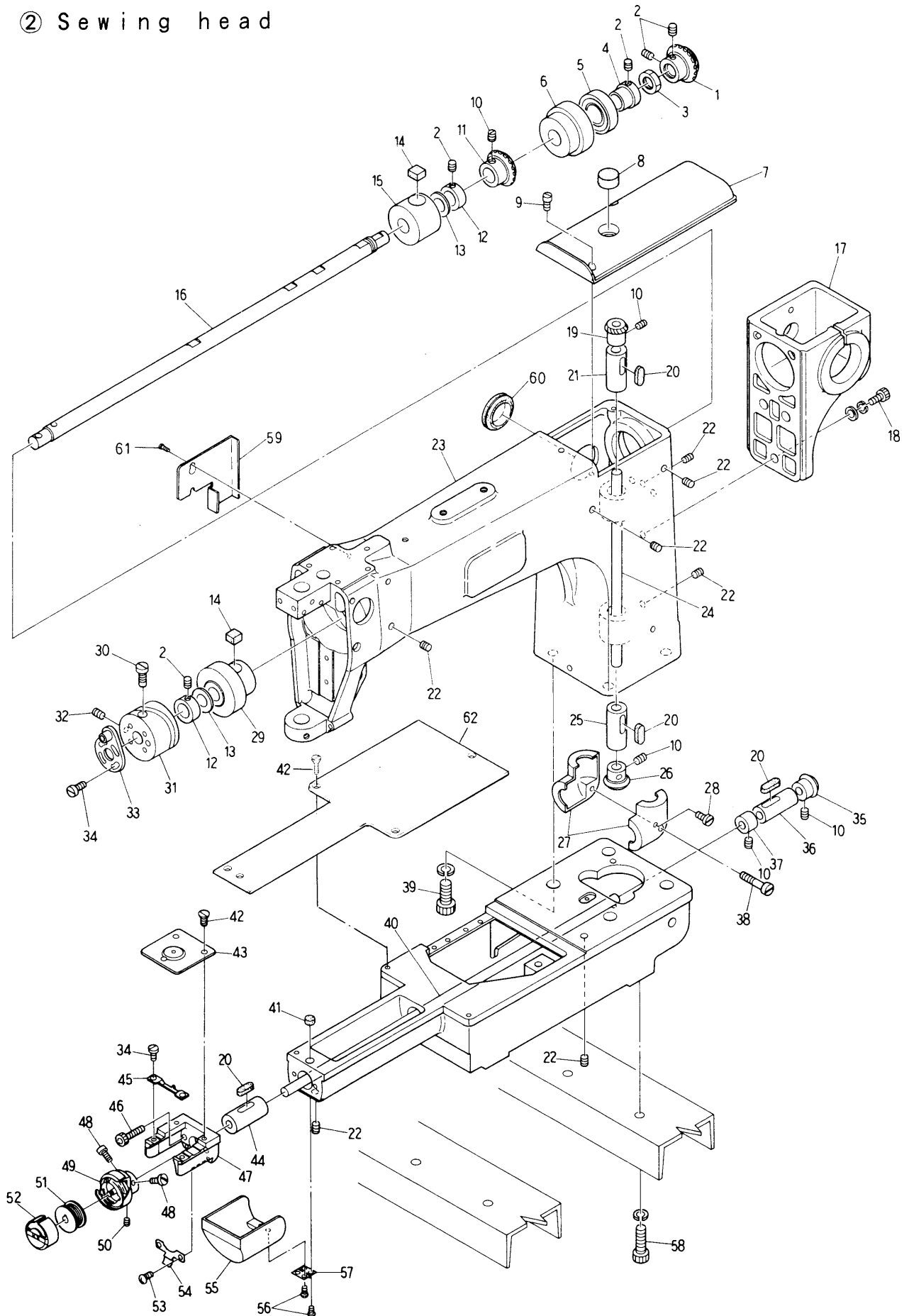


From the library of: Diamond Needle Corp

① Table • Frame



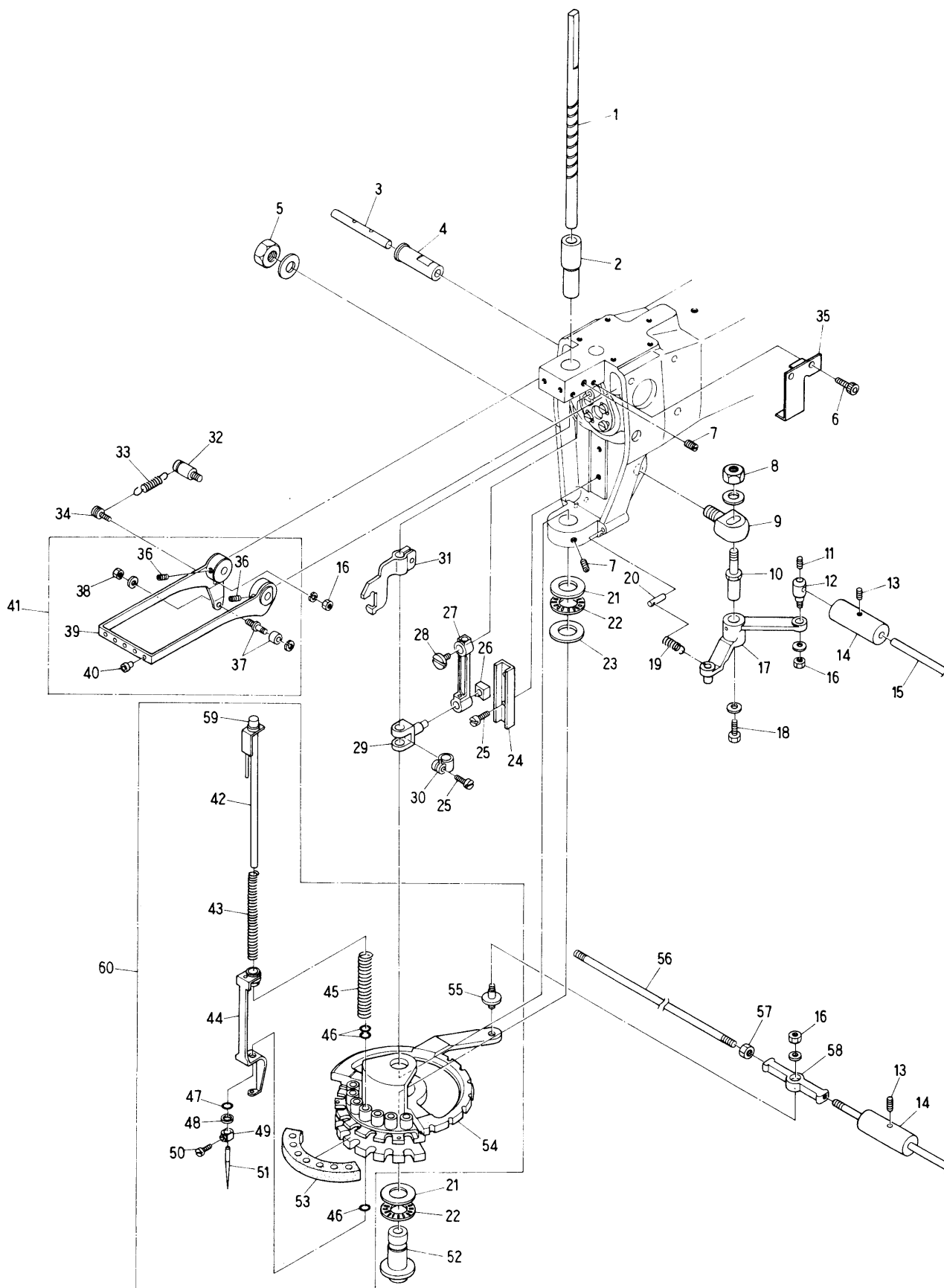
② Sewing head



② Sewing head

ITEM	PART No.	LIST No.	DESCRIPTION	Q'TY	REMARK
1	2210L00	KL 2 2 0 1 0 0	Top shaft gear	1	
2			Hex. socket set screw M6×6		
3	2211L00	KL 2 2 0 1 1 0	Top shaft adjust nut M14	1	
4	2209L00	KL 2 2 0 0 9 0	Top shaft bearing collar (Reat)	1	
5	91017	A 9 0 1 0 0 1 7	Bearing (6004ZZ)	1	
6	2204L00	KL 2 2 0 0 4 0	Top sraft bearing case	1	
7	2504L00	KL 2 5 0 0 4 0	Arm top cover	1	
8	2215L00	KL 2 2 0 1 5 0	Oil felt D	1	
9			Screw M4X10		
1 0			Screw (SM1/4 40×4)		
1 1	2213F	KF 2 2 0 1 3 0	Bevel gear (Top shaft)	1	
1 2	2208L00	KL 2 2 0 0 8 0	Top shaft collar	2	
1 3	23D9P00	HP 2 3 1 3 9 0	Thrust washer	2	
1 4	2213L00	KL 2 2 0 1 3 0	Oil felt B	2	
1 5	2203L00	KL 2 2 0 0 3 0	Top shaft metal (Middle)	1	
1 6	2200L00	KL 2 2 0 0 0 0	Top shaft	1	
1 7	2114L00	KL 2 1 0 1 4 0	Arm gear case	1	
1 8			Hex. socket bolt M 6 × 25		
1 9	2246F	KF 2 2 0 4 6 0	Bevel gear (Vertical shaft upper)	1	
2 0	2214L00	KL 2 2 0 1 4 0	Oil felt C	4	
2 1	2205L00	KL 2 2 0 0 5 0	Vertical shaft metal (upper)	1	
2 2			Hex. socket set screw M 6 × 8		
2 3	2100L00	KL 2 1 0 0 0 0	SRE Assy Head 7		
	2101L00	KL 2 1 0 0 1 0	SRE Assy Head 5		
	2100LOT	KL 2 1 0 0 0 T	SRE Assy Head 7 (with thread cutter)		
	2101LOT	KL 2 1 0 0 1 T	SRE Assy Head 5 (with thread cutter)		
2 4	2201L00	KL 2 2 0 0 1 0	Vertical shaft	1	
2 5	2206L00	KL 2 2 0 0 6 0	Vertical shaft metal (Lower)	1	
2 6	2247F	KF 2 2 0 4 7 0	Bevel gear (Vertical shaft (Lower))	1	
2 7	2227F	KF 2 2 0 2 7 0	Gear cover set	1	
2 8			Screw (SM15/64 28×24)		
2 9	2202L00	KL 2 2 0 0 2 0	Top shaft metal (Front)	1	
3 0	2342F	KF 2 3 0 4 2 0	Cam set screw	1	
3 1	2341N00	KN 2 3 0 4 1 0	Take up lever cam G	1	
3 2			Screw (SM15/64 28×10)		
3 3	2343N00	KN 2 3 0 4 3 0	90° Clamping	1	
3 4	91207	A 9 0 1 2 0 0 7	Screw	6	
3 5	2248F	KF 2 2 0 4 8 0	Bevel gear (Bottom shaft)	1	
3 6	2207L00	KL 2 2 0 0 7 0	Bottom shaft metal (Rear)	1	
3 7	2229F	KF 2 2 0 2 9 0	Bottom shaft collar	1	
3 8			Screw (SM 9 / 32 20×38)		
3 9			Hex. socket bolt M12×35		
4 0	2221C	KC 2 2 0 2 1 0	Bottom shaft	1	
4 1	2212L00	KL 2 2 0 1 2 0	Oil felt A	1	
4 2	2590F	KF 2 5 0 9 0 0	Needle plate set screw (SM11/64 40×7)	2	

③ Needle bar - Take up lever mechanism



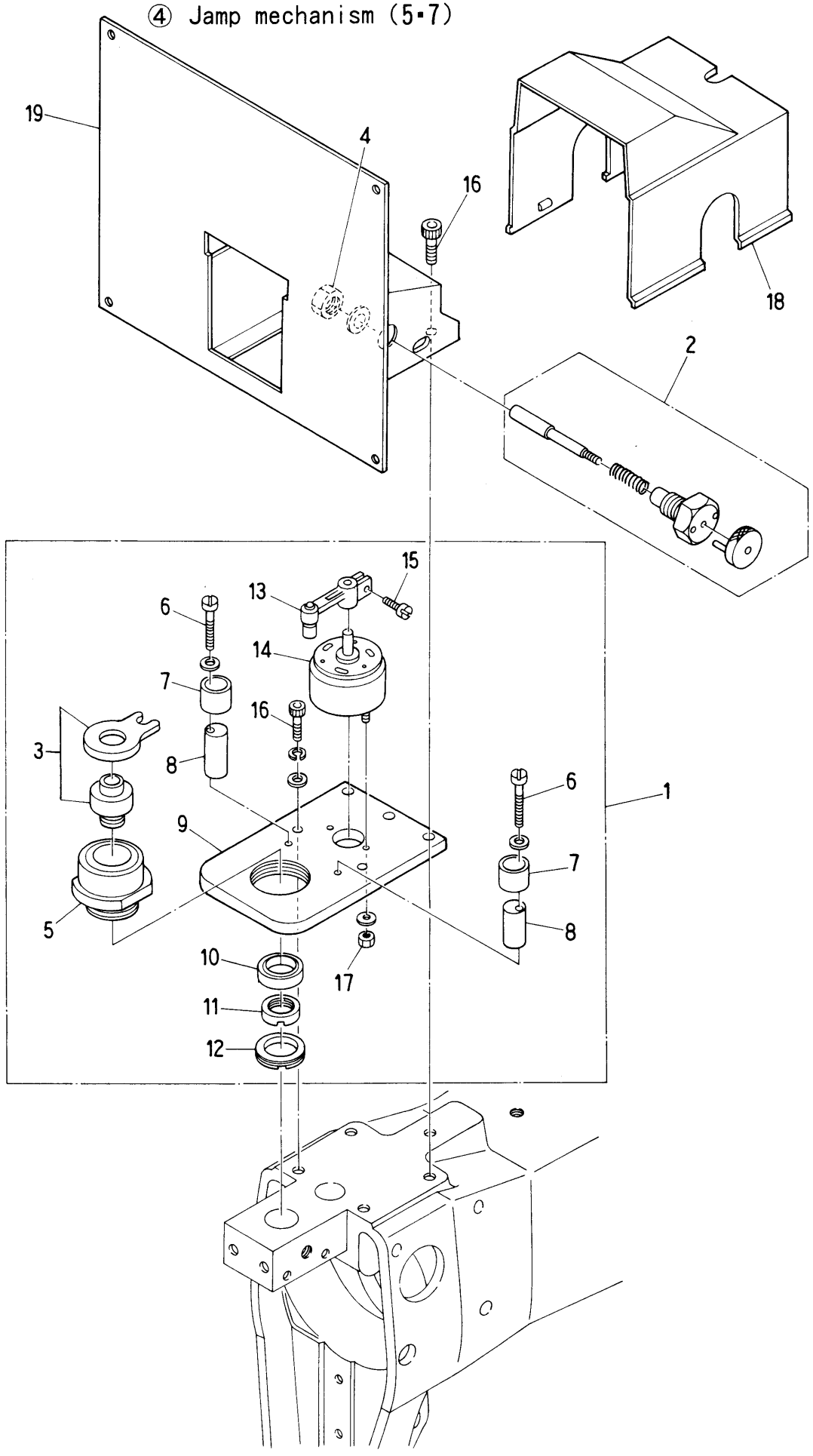
③ Needle bar - Take up lever mechanism

(N=needle Q'ty)

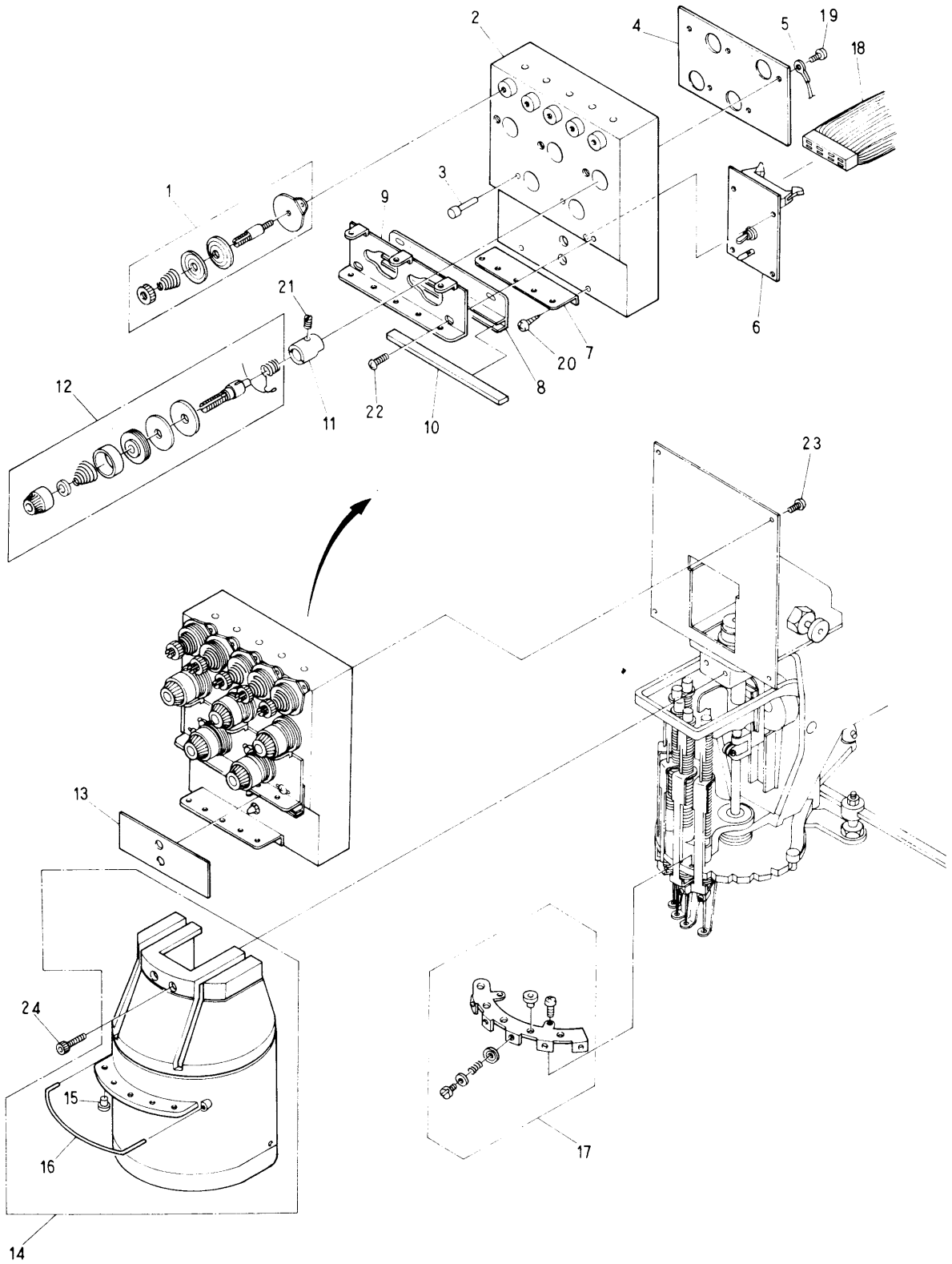
ITEM	PART No.	LIST No.	DESCRIPTION	Q'TY	REMARK
1	2300L00	KL 2 3 0 0 0 0	Driving shaft	1	
2	2332F	KF 2 3 0 3 2 0	Driver shaft upper metal	1	
3	2351F02	KF 2 3 0 5 1 2	Take up lever shaft	1	
4	2352F01	KF 2 3 0 5 2 1	Take up lever metal	1	
5			Hex. nut M10		
6			Hex. socket bolt M4 × 8		
7			Screw M6 × 6		
8			Hex. nut M8		
9	2365F	KF 2 3 0 6 5 0	Lock lever bracket	1	
10	2363F	KF 2 3 0 6 3 0	Lock lever shaft	1	
11			Hex. socket set screw M4 × 6		
12	2364F	KF 2 3 0 6 4 0	Lock connection rod clamp	1	
13			Hex. socket set screw M5 × 5		
14	3338F01	KF 3 3 0 3 8 1	Lock bar hand grip	1	
15	3341C	KC 3 3 0 4 1 0	Lock connecting rod (2M)	3	
16			Hex. nut M4		
17	2361G	KG 2 3 0 6 1 0	KS Lock lever	1	
18			Hex. bolt M5 × 10		
19	2366F01	KF 2 3 0 6 6 1	Lock lever spring	1	
20	2367F	KF 2 3 0 6 7 0	Lock lever spring pin	1	
21	91123	A 9 0 1 1 0 2 3	Thrust bearing (GS1528)	2	
22	91121	A 9 0 1 1 0 2 1	Thrust bearing (NTB-1528)	2	
23	91122	A 9 0 1 1 0 2 2	Thrust washer (AS-1528)	1	
24	23D1P00	HP 2 3 1 3 1 0	Guide box	1	
25			Screw (SM9/64 40 × 8)		
26	23D7P00	HP 2 3 1 3 7 0	Square ball	1	
27	23D0P01	HP 2 3 1 3 0 1	Clank rod	1	
28	2345F	KF 2 3 0 4 5 0	90° Clank screw fork	1	
29	23C9P00	HP 2 3 1 2 9 0	Needle bar driving	1	
30	2348F	KF 2 3 0 4 8 0	Needle shaft clamp	1	
31	2314L00	KL 2 3 0 1 4 0	Needle bar driver	1	
32	2302L00	KL 2 3 0 0 2 0	Take up lever spring shaft	1	
33	2303L00	KL 2 3 0 0 3 0	Take up lever spring	1	
34	2301L00	KL 2 3 0 0 1 0	Take up lever spring screw	1	
35	2317L00	KL 2 3 0 1 7 0	Oil core bracket	1	
36			Hex. socket set screw M5 × 6		
37	2350F	KF 2 3 0 5 0 0	Take up lever roller assy	1	
38			Hex. nut 7/32		
39	2307L00	KL 2 3 0 0 7 0	Take up lever (SRE-7)	1	
	2308L00	KL 2 3 0 0 8 0	Take up lever (SRE-5)	1	
40	2358F	KF 2 3 0 5 8 0	Ceramic thread guide SRE (7)	N×1	
41	2319L00	KL 2 3 0 1 9 0	Take up lever assy SRE (7)	1	
	2320L00	KL 2 3 0 2 0 0	Take up lever assy SRE (5)	1	
42	2301F	KF 2 3 0 0 1 0	Needle bar assy	N×1	
43	2318F	KF 2 3 0 1 8 0	Needle bar spring	N×1	

From the library of: Diamond Needle Corp

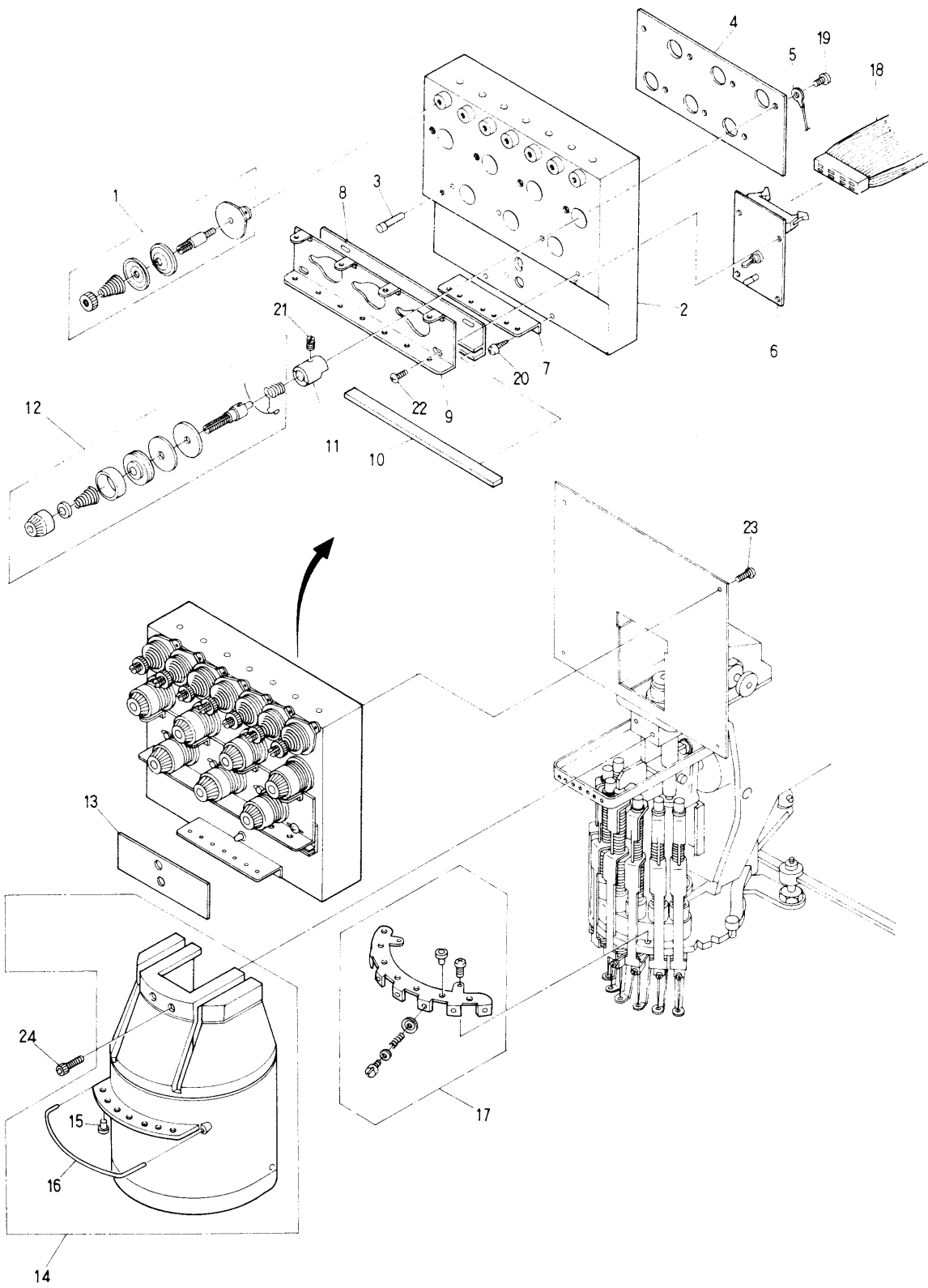
④ Jamp mechanism (5-7)



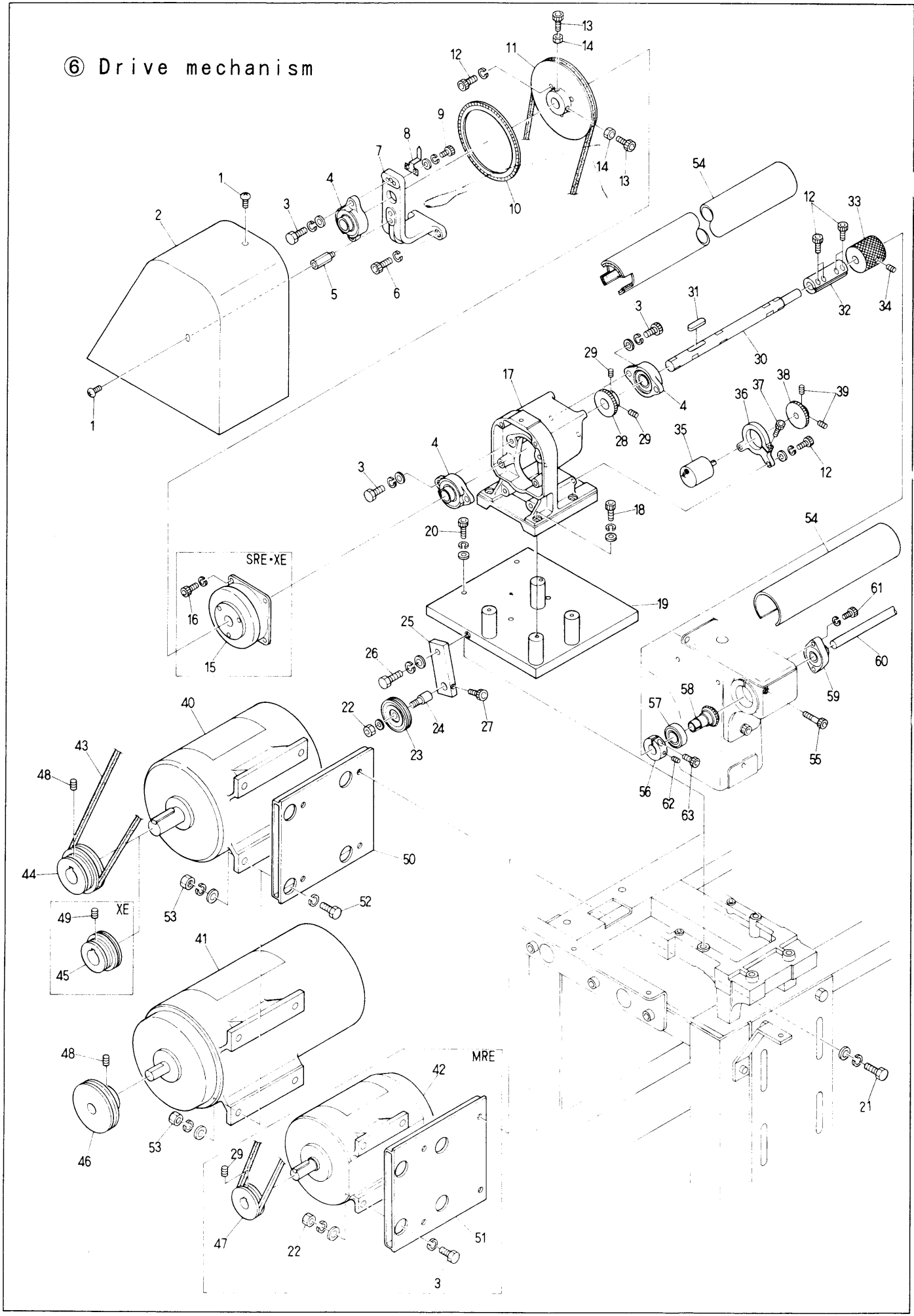
⑤ Thread guide mechanism (5) I



⑤ Thread guide mechanism (7) II



⑥ Drive mechanism

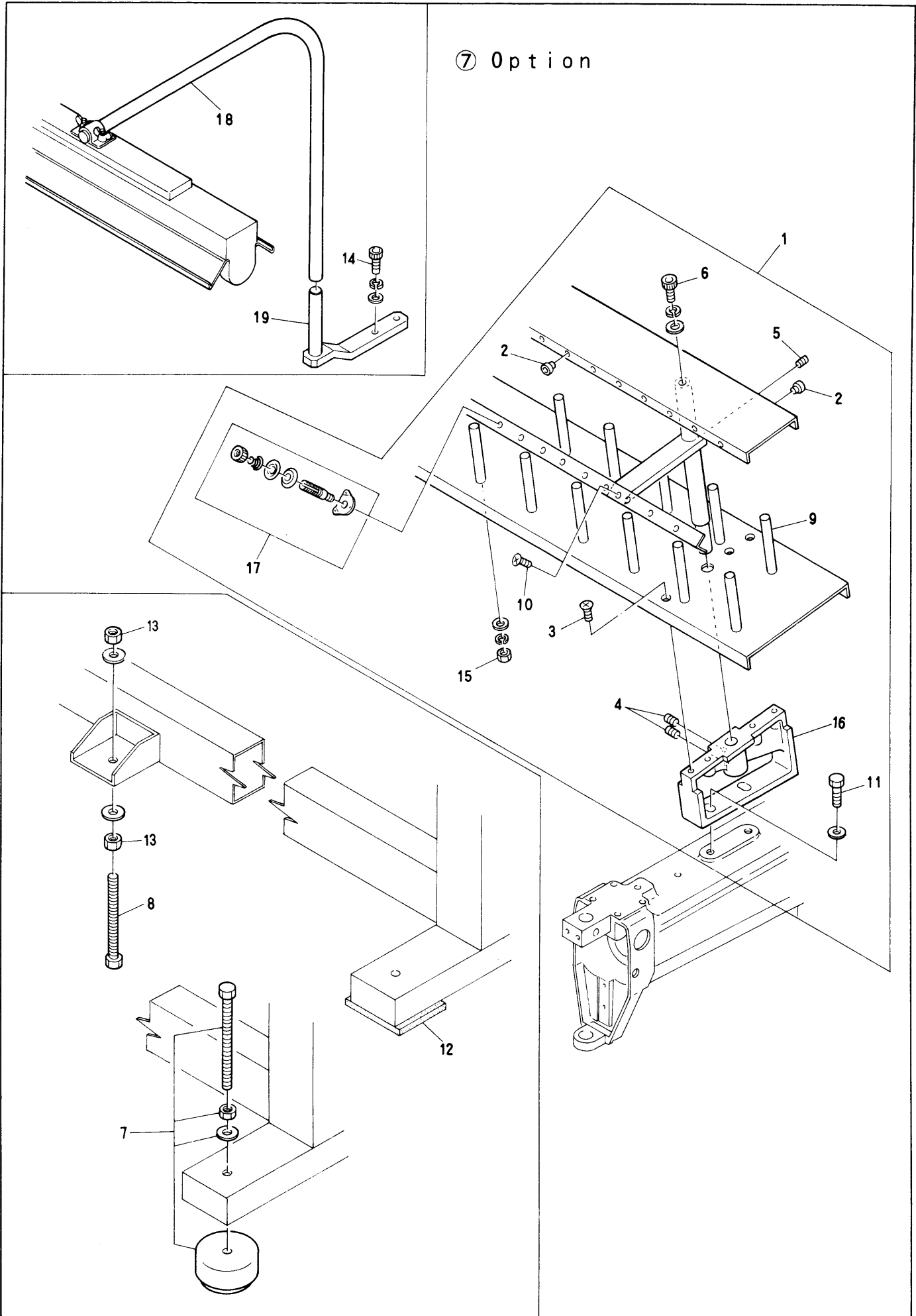


⑥ Drive mechanism

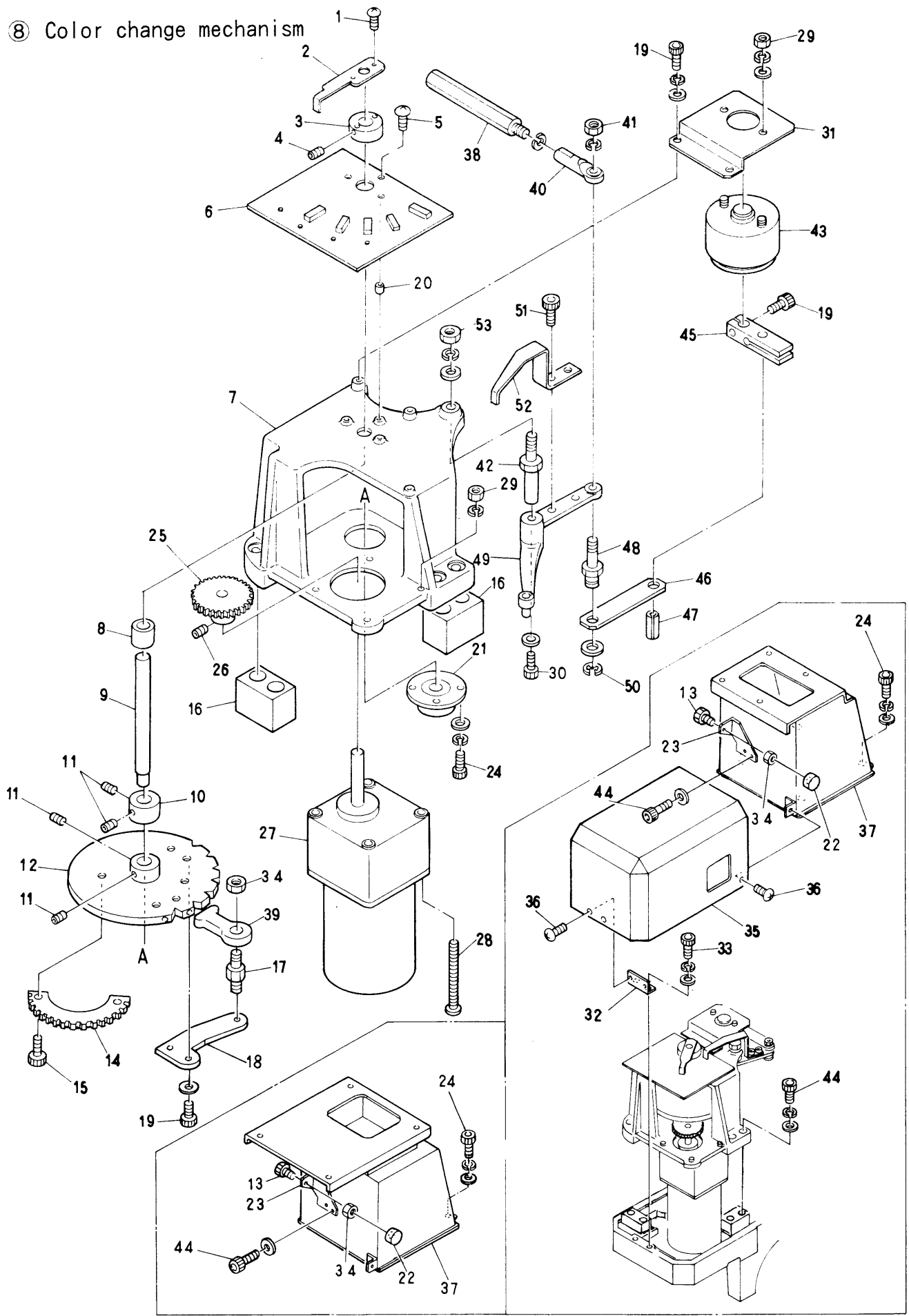
ITEM	PART No.	LIST No.	DESCRIPTION	Q'TY	REMARK
1			Pan screw M4 × 8		
2	3101L00	KL310010	Belt cover	1	
3			Hex. bolt M8 × 25		
4	91117	A9011017	Bearing unit BLF 204 (FYH)	3	
5	31T4N00	HP312940	Belt cover stay	1	
6			Hex. socket bolt		
7	31FXN00	KN315130	Brake box bearing support	1	
8	31EDP00	HP314670	Angle gauge	1	
9			Hex. socket bolt M4 × 8		
10	31AHN00	KN313670	Angle label (A)	1	
11	31S5C01	KC312851	Driving pulley	1	
12			Hex. socket bolt M6 × 20		
13			Hex. socket bolt M6 × 14		
14			Hex. nut M6		
15	31SOC	KC312800	Brake unit	1	
16			Hex. socket bolt M5 × 12		
17	31S1N00	KN312810	Brake box	1	
18			Hex socket bolt M6 × 35		
19	3105L01	KL310051	Brake box base	1	
20			Hex. socket bolt M6 × 50		
21			Hex. bolt M6 × 25		
22			Hex. nut M8		
23	31Y8P00	HP313480	NBK V-Idler (TPMV-64)	1	
24	31Y3P01	HP313430	Belt tension shaft 15 × 3.55L	1	
25	3104L00	KL310040	Idler stay	1	
26			Hex. bolt M12 × 35		
27			Hex. socket bolt N6 × 12		
28	31T1C01	KC312911	Encorder driving gear No.1	1	
29			Hex. socket set screw M5 × 8		
30	31S2N00	KN312820	Brake shaft	1	
31	3121W00	WW310210	Key 6 × 6 × 35	1	
32	3255H	HH320550	Upper shaft connecting coupling	1	
33	3259C	KC320590	Hand pulley	1	
34			Hex. socket set screw M6 × 12		
35	51A2N00	KN511020	Position corder 051 (for Embroidery machine)	1	
36	31S9C	KC312890	Encorder retainer	1	
37			Truss screw M4 × 15		
38	31T2C01	KC312921	Encorder driving gear No.2	1	
39			Hex. socket set screw M4 × 8		
40	3111C	KC310110	Three-phase Motor (IKS-4P-0.4KW-DBK8)	1	(SRE, XE 3-phase)
41	3112C	KC310120	Single-phase Motor (FUJI PS401)	1	(SRE, XE 1-phase)
42	31FVN00	KN315110	Motor (IK-FBK8-4P-0.55KW VF3 200V)	1	(MRE motor)
43	92066	A9020066	V-belt 3V-560	1	
44	31Y0P01	HP313401	Motor pulley (5R-3P-50/60HZ)	1	(SRE 3-phase)
45	31S3C01	KC312831	Motor pulley (3P-50/60HZ)	1	(XE 3-phase)

From the library of: Diamond Needle Corp

⑦ Option



⑧ Color change mechanism

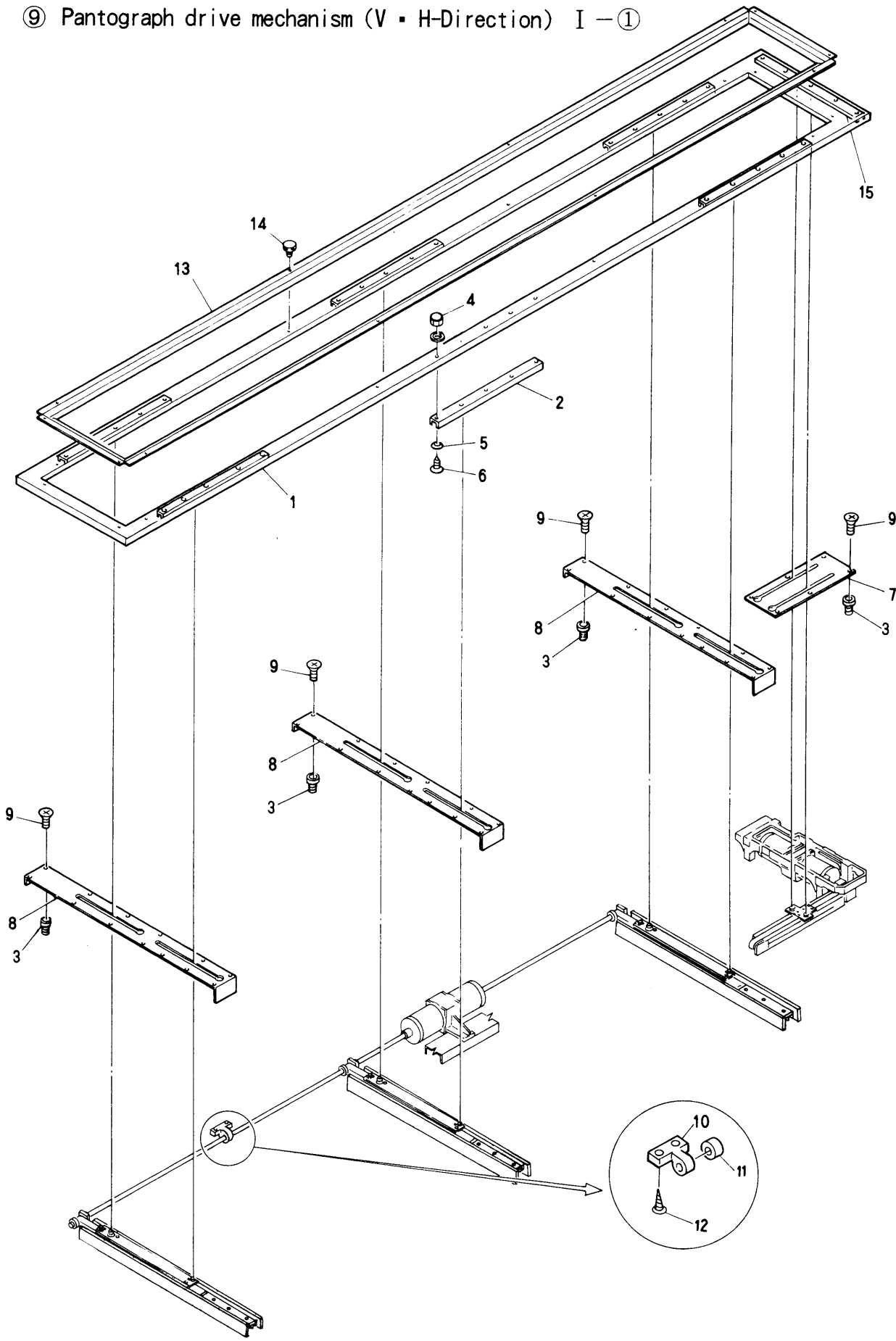


⑧ Color change mechanism

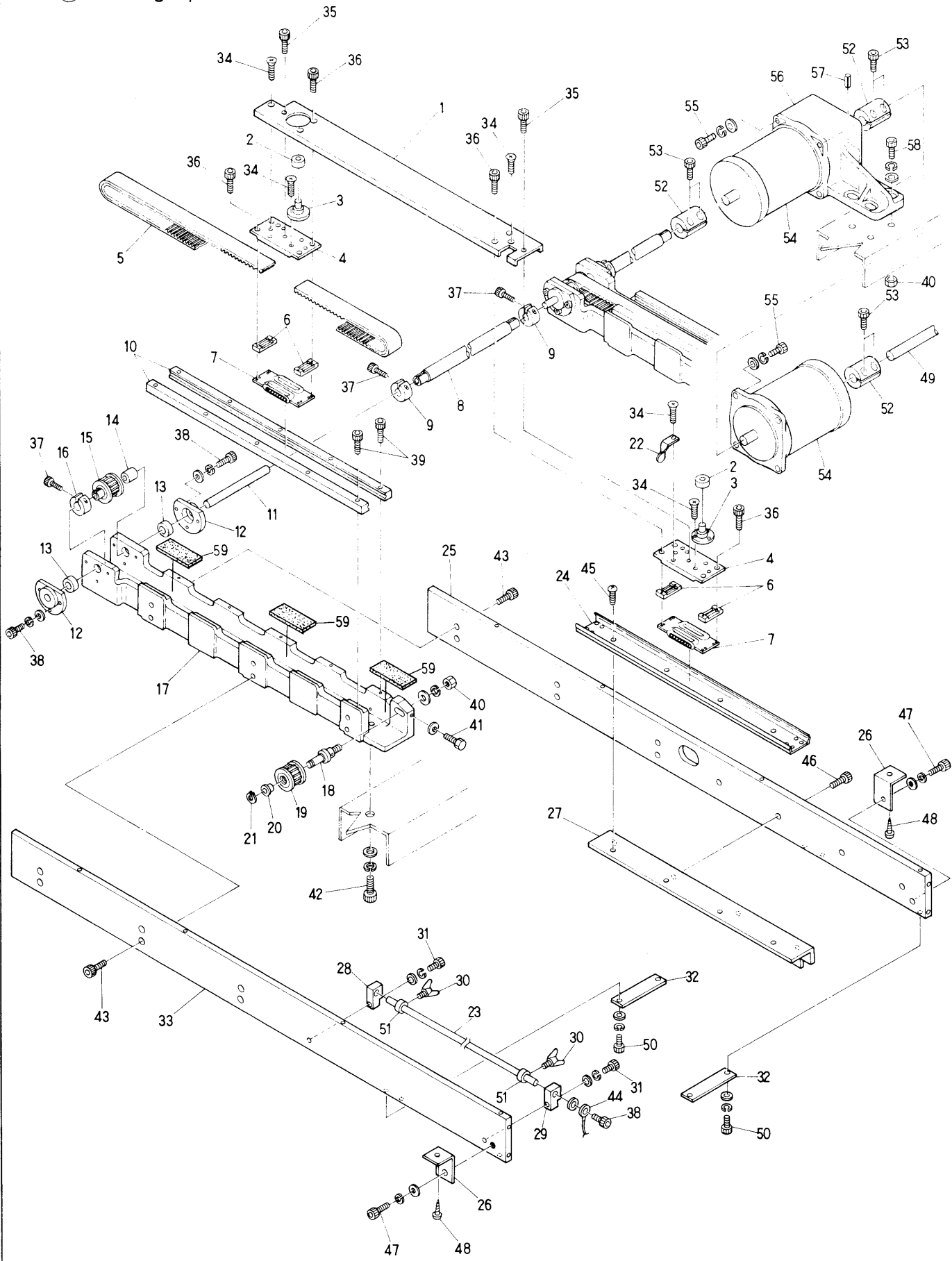
ITEM	PART No.	LIST No.	DESCRIPTION	Q'TY	REMARK
1			Flush screw M3×8		
2	3328C	KC 3 3 0 2 8 0	Detection plate	1	
3	3317C	KC 3 3 0 1 7 0	Plate collar	1	
4			Hex. socket set screw M5×10		
5			Flush screw M3×12		
6	55C0180	EBY 0 0 1 8 0	3740 Needle positioner (US)	1	
7	3313C	KC 3 3 0 1 3 0	Needle turning unit base	1	
8	3319C	KC 3 3 0 1 9 0	Oil-less metal	1	
9	3316C	KC 3 3 0 1 6 0	Needle turning shaft	1	
10	3318C	KC 3 3 0 1 8 0	Collar φ10	1	
11			Hex. socket set screw M5×6		
12	3315G	KG 3 3 0 1 5 0	US Control turning plate	1	
13			Hex. socket bolt M5×30		
14	3322G	KG 3 3 0 2 2 0	Needle turning gear No.2	1	
15			Hex. socket bolt M5×12		
16	3305L00	KL 3 3 0 0 5 0	Unit base spaser	2	
17	2336F	KF 2 3 0 3 6 0	Turret plate joint pin	1	
18	3304L00	KL 3 3 0 0 4 0	Turret plate lever	1	
19			Hex. socket bolt M5×15		
20	912K3	A 9 0 1 2 2 0 3	Specer 4×4	3	
21	3361C	KC 3 3 0 6 1 0	Oil-less bearing (OCHIAI) S/S LSB-G8-08V	1	
22	2315F	KF 2 3 0 1 5 0	Needle bar cap	1	
23	3302L00	KL 3 3 0 0 2 0	Lock lever stopper		
24			Hex. socket bolt M6×12		
25	3321C	KC 3 3 0 2 1 0	Needle turning gear No.1 (0.8M50T)	1	
26			Hex. socket set screw M4×8		
27	3381C	KC 3 3 0 8 1 0	Geard motor RM-F6A5PC3-AS-120	1	
28			Flush screw M4×65		
29			Hex. nut M4		
30			Hex. socket bolt M5×12		
31	3326C	KC 3 3 0 2 6 0	Bracket lock rotary solenoid	1	
32	3391C	KC 3 3 0 9 1 0	Cover bracket	1	
33			Hex. socket bolt M5×10		
34			Hex. nut M5		
35	3301L00	KL 3 3 0 0 1 0	Cover	1	
36			Truss screw M4×8		
37	33K1N00	KN 3 3 2 0 1 0	Automat base (BEMRE)	1	
	3312N01	KN 3 3 0 1 2 1	Automat base (BESRE, XE)	1	
38	3351C	KC 3 3 0 5 1 0	Hex. connecting bar (L)	1	
39	91201	A 9 0 1 2 0 0 1	Uniball joint (NMB RD4020R)	1	
40	91202	A 9 0 1 2 0 0 2	Uniball joint (NMB PR-6)	1	
41			Hex. nut M16		
42	2363F	KF 2 3 0 6 3 0	Lock lever shaft	1	
43	3385C	KC 3 3 0 8 5 0	Rotary solenoid 6SR-25 (27×4×9)	1	
44			Hex. socket bolt M6×30		

From the library of: Diamond Needle Corp

⑨ Pantograph drive mechanism (V · H-Direction) I - ①



⑩ Pantograph drive mechanism (H) II



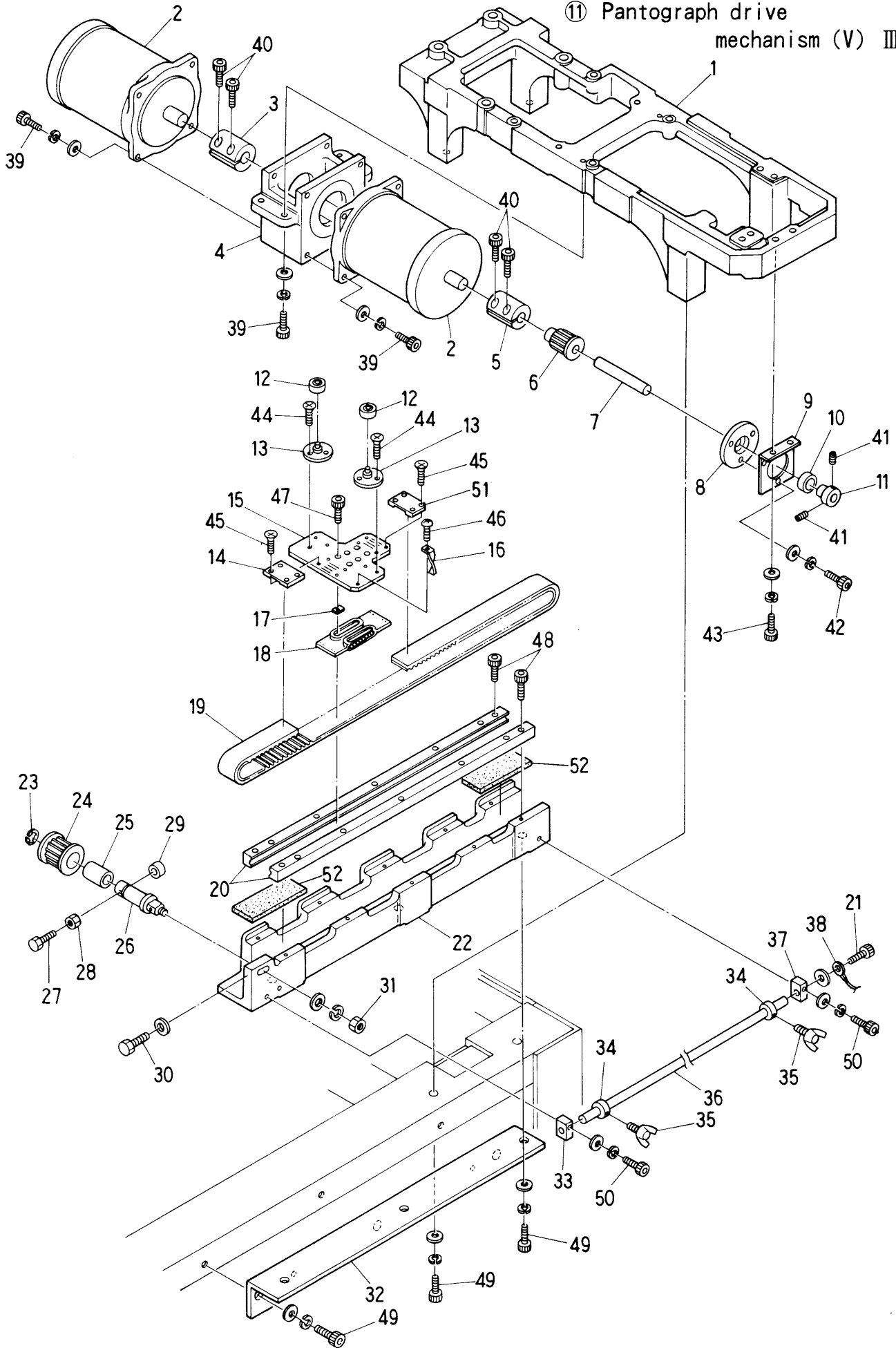
From the library of: Diamond Needle Corp

⑩ Pantograph drive mechanism (H) II

ITEM	PART No.	LIST No.	DESCRIPTION	Q'TY	REMARK
1	4824C	KC 4 8 0 2 4 0	H member connectins channel HJ	1	
2	91006	A 9 0 1 0 0 0 6	Bearing (625zz)(1650)	2	
3	4826C	KC 4 8 0 2 6 0	Bearing shaft	2	
4	4821C	KC 4 8 0 2 1 0	H slide pack base	2	
5	48A3H	HH 4 8 1 0 3 0	Timing belt T5-20-243	1	
6	4765C	KC 4 7 0 6 5 0	Timing belt rack	4	
7	4831H	HH 4 8 0 3 1 0	Slide pack (FBW3590)	2	
8	4920N00	KN 4 9 0 2 0 0	H pulse motor connecting shaft set (BESR-12, P=380)	1	
9	4718H	HH 4 7 0 1 8 0	clamp (ϕ 12)	4	
1 0	4833C	KC 4 8 0 3 3 0	V guide rail S55C (430L)	2	
1 1	4764C	KC 4 7 0 6 4 0	Timing belt shaft(150L)	1	
	4759C	KC 4 7 0 5 9 0	Timing belt shaft(130L)	2	
1 2	4769N00	KN 4 7 0 6 9 0	Bearing husing	2	
1 3	91101	A 9 0 1 1 0 0 1	Bearing (JBS 108)	2	
1 4	4762C	KC 4 7 0 6 2 0	Timing pulley adjust collar	1	
1 5	4752C	KC 4 7 0 5 2 0	Timing pulley (ML-3208-T5-16T)	1	
1 6	4719C	KC 4 7 0 1 9 0	Clamp (ϕ 13)	1	
1 7	4879N00	KN 4 8 0 7 9 0	H center guide rail base	1	
1 8	4827C	KC 4 8 0 2 7 0	Timing pulley shaft (Front)	1	
1 9	4754C	KC 4 7 0 5 4 0	Timing pulley	1	
2 0	4841H	HH 4 8 0 4 1 0	Timing pulley shaft bush	1	
2 1	91252	A 9 0 1 2 0 5 2	E-Ring (ϕ 10)	1	
2 2	4596C	KC 4 5 0 9 6 0	Pantograph stop sensor plate (H)	1	
2 3	4548C	KC 4 5 0 4 8 0	Pantograph stop bar	1	
2 4	4832C	KC 4 8 0 3 2 0	Slide pack guide rail (400L)	1	
2 5	48C3C	KC 4 8 1 2 3 0	H center guide cover R (JRC)	1	
2 6	1463C	KC 1 4 0 6 3 0	Table adjust plate No.2	2	
2 7	48C4C	KC 4 8 1 2 4 0	H center guide rail base (JM-C)	1	
2 8	4518C	KC 4 5 0 1 8 0	Pantograph bar fixing base (R)	1	
2 9	4519C	KC 4 5 0 1 9 0	Pantograph bar fixing base (L)	1	
3 0			Butterfly bolt M5×15	2	
3 1			Hex. socket bolt M4×25		
3 2	48C8C01	KU 4 8 1 2 8 1	H center guide	2	
3 3	48D6C	KC 4 8 1 3 6 0	H center guide side cover (L)	1	
3 4			Screw M4×6		
3 5			Hex. socket bolt M4×8		
3 6			Hex. socket bolt M3×12		
3 7			Hex. socket bolt M5×15		
3 8			Hex. socket bolt M4×20		
3 9			Hex. socket bolt M4×15		
4 0			Hex. nut M8		
4 1			Hex. bolt M4×25		
4 2			Hex. socket bolt M8×20		
4 3			Hex. socket bolt M6×18		
4 4	95333	A 9 0 5 3 0 3 3	Pantograph stopping single cable 0.75×180	1	

From the library of: Diamond Needle Corp

⑪ Pantograph drive mechanism (V) III

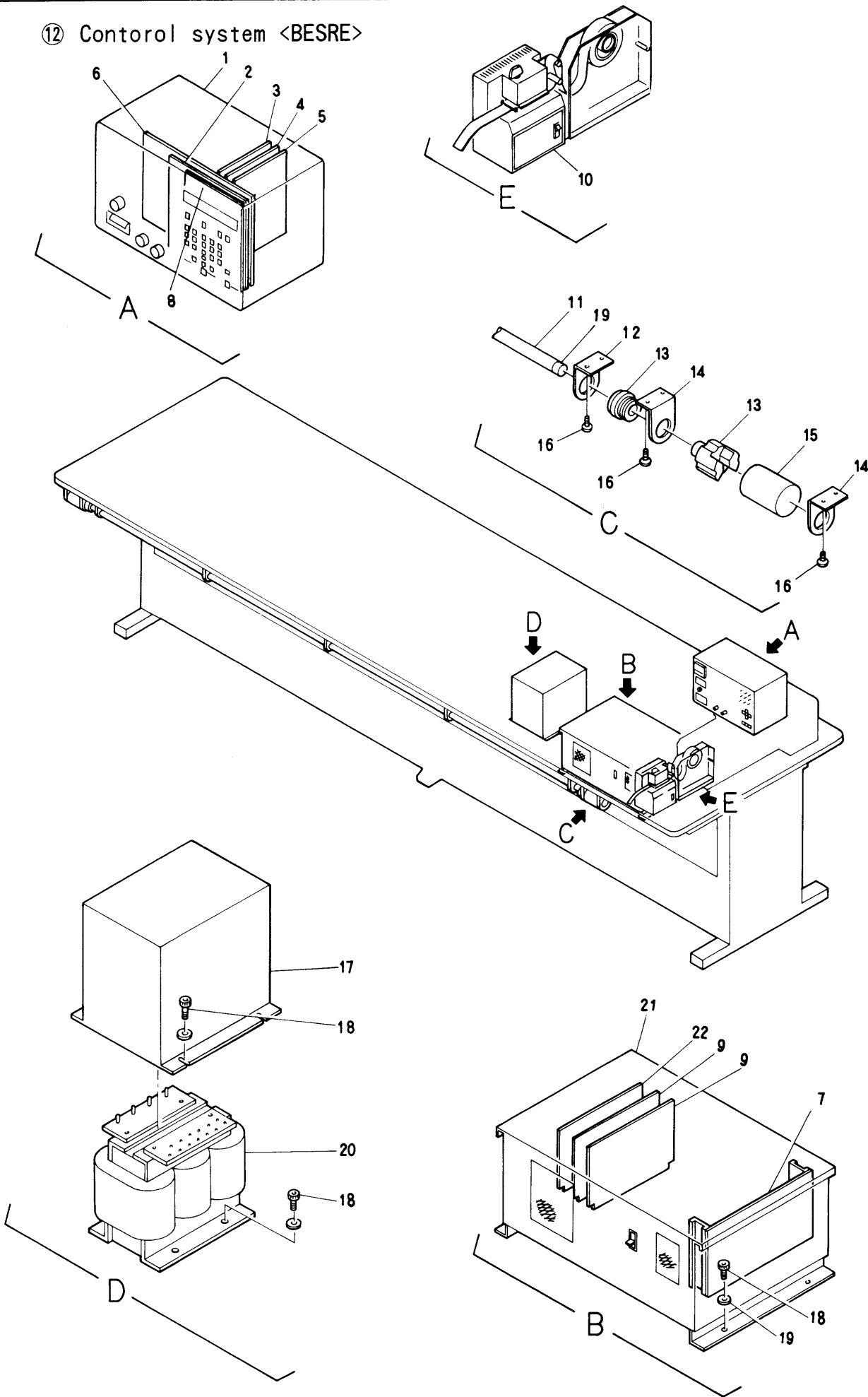


⑪ Pantograph drive mechanism (V) III (※Change the PART NO. by machine type)

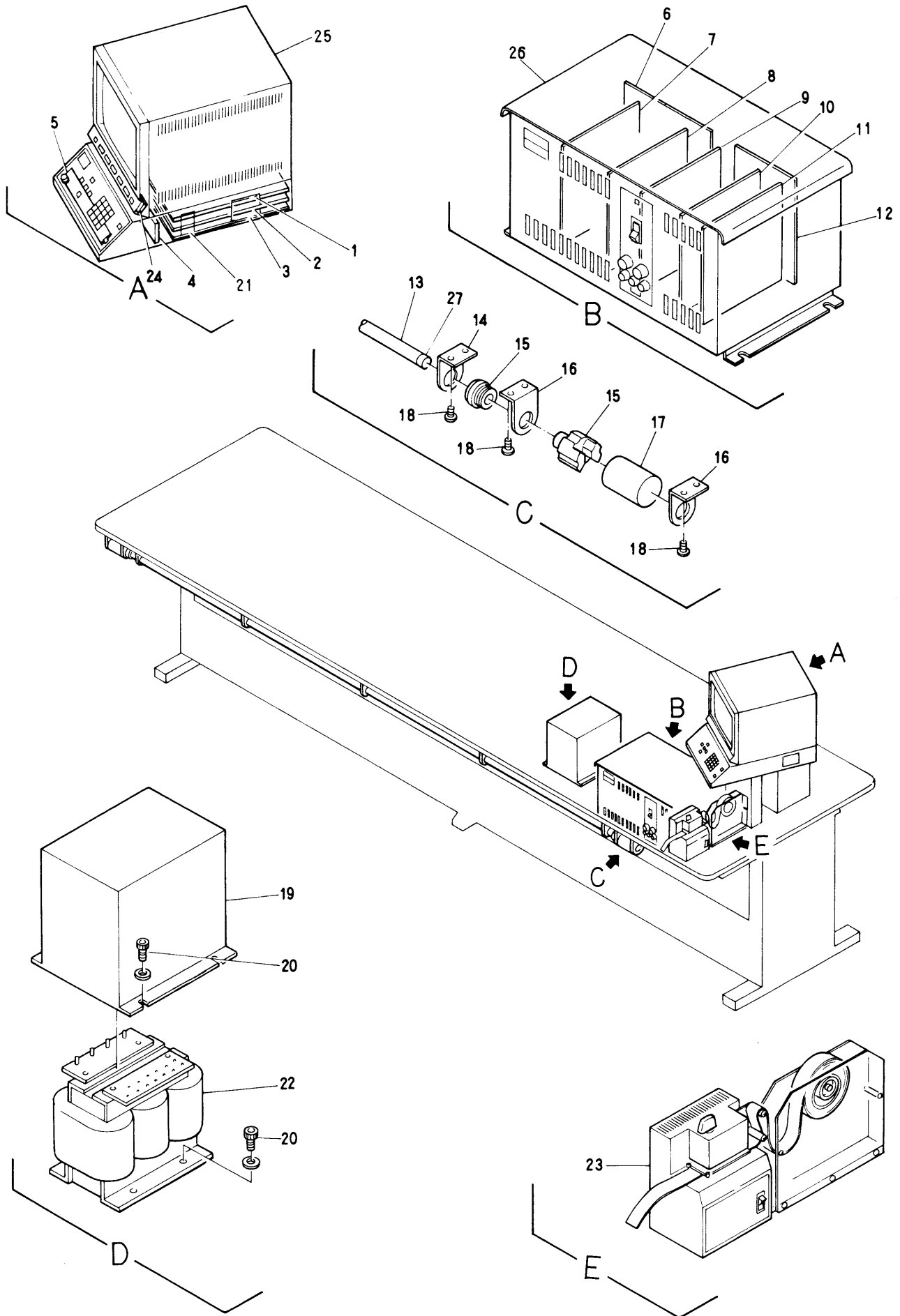
ITEM	PART No.	LIST No.	DESCRIPTION	Q'TY	REMARK
1	3311N00	KN 3 3 0 1 1 0	Control unit base	1	
2	48JOH	HH 4 8 1 9 0 0	Pulse motor (4M)	2	
3	48J3H01	HH 4 8 1 9 3 1	Pulse motor coupling	1	
4	4716N00	KN 4 7 0 1 6 0	Pulse motor bracket V	1	
5	4915N00	KN 4 9 0 1 5 0	Pulse motor coupling	1	
6	48T9P00	HP 4 8 2 9 9 0	Pantograph driving pulley (Rear) S5M	1	
7	4914N00	KN 4 9 0 1 4 0	V timing belt shaft	1	
8	4913N00	KN 4 9 0 1 3 0	V timing belt shaft bearing housing	1	
9	4912N00	KN 4 9 0 1 2 0	Bearing bracket	1	
1 0	91163	A 9 0 1 1 0 6 3	Needle bearing TLA2016	1	
1 1	48J7H	HH 4 8 1 9 7 0	Pulse motor connecting shaft collar	1	
1 2	91006	A 9 0 1 0 0 0 6	Bearing (625ZZ) (1650)	2	
1 3	4826C	KC 4 8 0 2 6 0	Bearing shaft	2	
1 4	4803N00	KN 4 8 2 6 3 0	V Timing fixing buckle No.1	1	
1 5	4823C02	KC 4 8 0 2 3 1	V-slide pack base	1	
1 6	4597C	KC 4 5 0 9 7 0	Pantograph stopping sensor plate (V)	1	
1 7	4838C	KC 4 8 0 3 8 0	Spacer (FBW 3590)	6	
1 8	4831H	HH 4 8 0 3 1 0	Slide pack (FBW 3590)	1	
1 9	92098	A 9 0 2 0 0 9 8	Timing belt 300S5M2000	1	
2 0	4830H	HH 4 8 0 3 0 0	Guide rail (1060L)	2	
2 1			Hex. socket bolt M 4 × 12		
2 2	4813C01	KC 4 8 0 1 3 1	V guide rail base (For V stroke 480)	1	※
2 3	91252	A 9 0 1 2 0 5 2	E-ring	1	
2 4	48T8P00	HP 4 8 2 9 8 0	Pantograph driving pulley (Front) S5M	1	
2 5	91179	A 9 0 1 1 0 7 9	Needle bearing TA-1225	1	
2 6	48J9H01	HH 4 8 1 9 9 1	Timing pulley shaft	1	
2 7			Hex. bolt M 4 × 40		
2 8			Hex. nut M 4		
2 9	48L1H	HH 4 8 2 1 1 0	Pulley shaft bolt cap	1	
3 0			Hex. bolt M 4 × 25		
3 1			Hex. nut M 8		
3 2	4746C	KC 4 7 0 4 6 0	V-guide rail base bracket	1	
3 3	4519C	KC 4 5 0 1 9 0	Pantograph stopping bar fixing base (L)	1	
3 4	4547C	KC 4 5 0 4 7 0	Pantograph stopping collar	2	
3 5			Butterfly bolt M 5 × 15	2	
3 6	4548C	KC 4 5 0 4 8 0	Pantograph stopping bar	1	
3 7	4518C	KC 4 5 0 1 8 0	Pantograph stopping bar fixing base R	1	
3 8	95333	A 9 0 5 3 0 3 3	Pantograph stopping single cable 0.75×180	1	
3 9			Hex. socket bolt M 6 × 25		
4 0			Hex. socket bolt M 5 × 28		
4 1			Hex. socket set screw M 5 × 8		
4 2			Hex. socket bolt M 4 × 8		
4 3			Hex. socket bolt M 5 × 12		
4 4			Flush screw M 4 × 6		
4 5			Flush screw M 4 × 6		

From the library of: Diamond Needle Corp

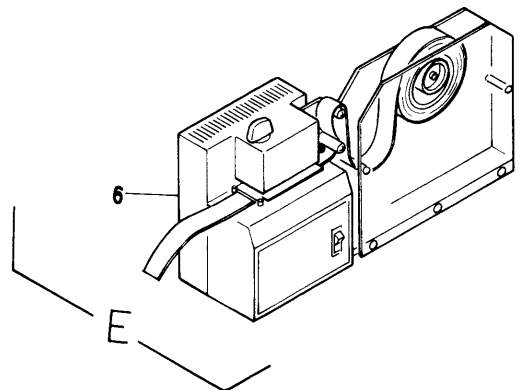
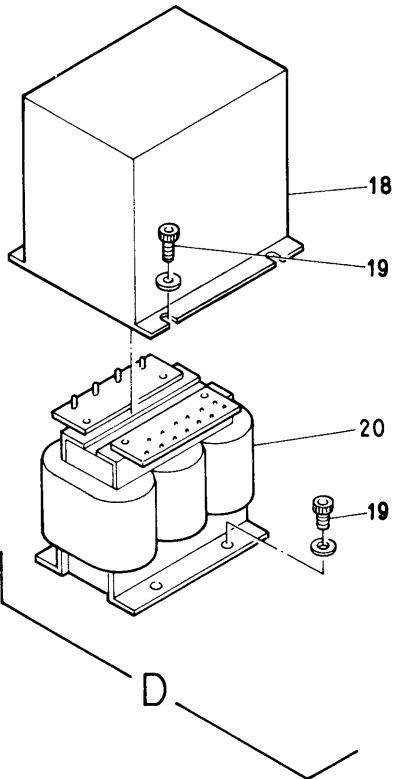
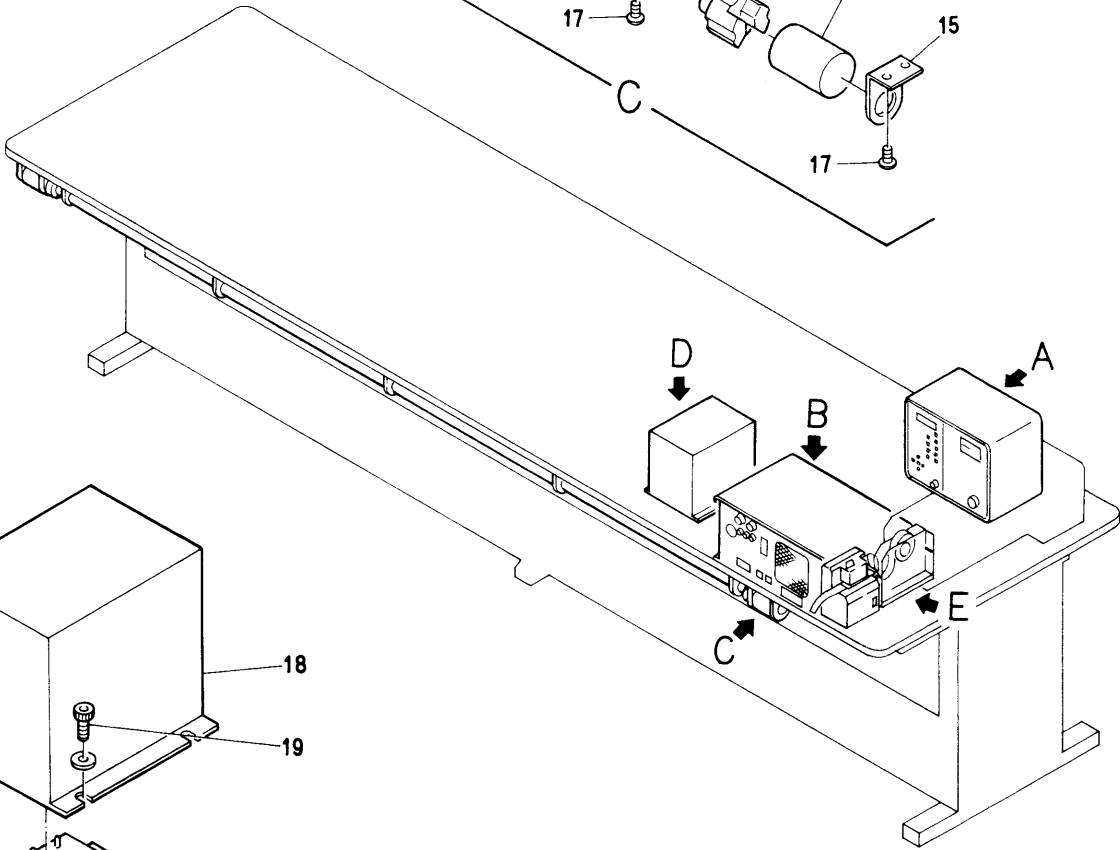
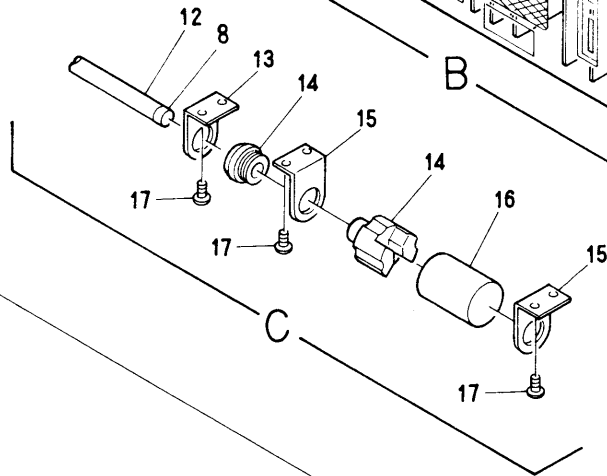
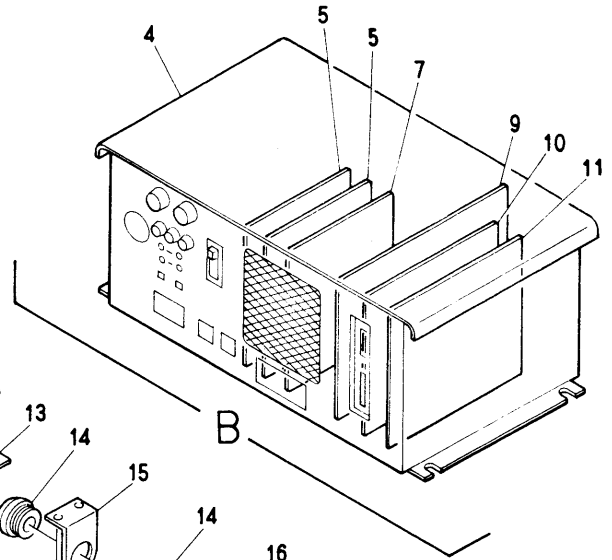
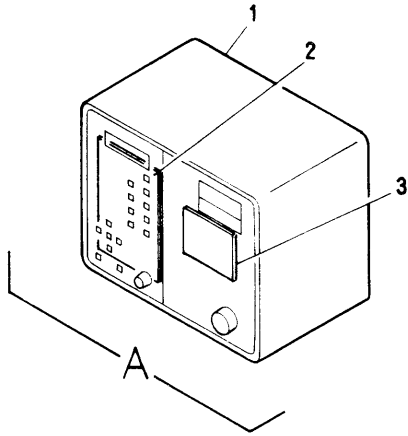
⑫ Control system <BESRE>



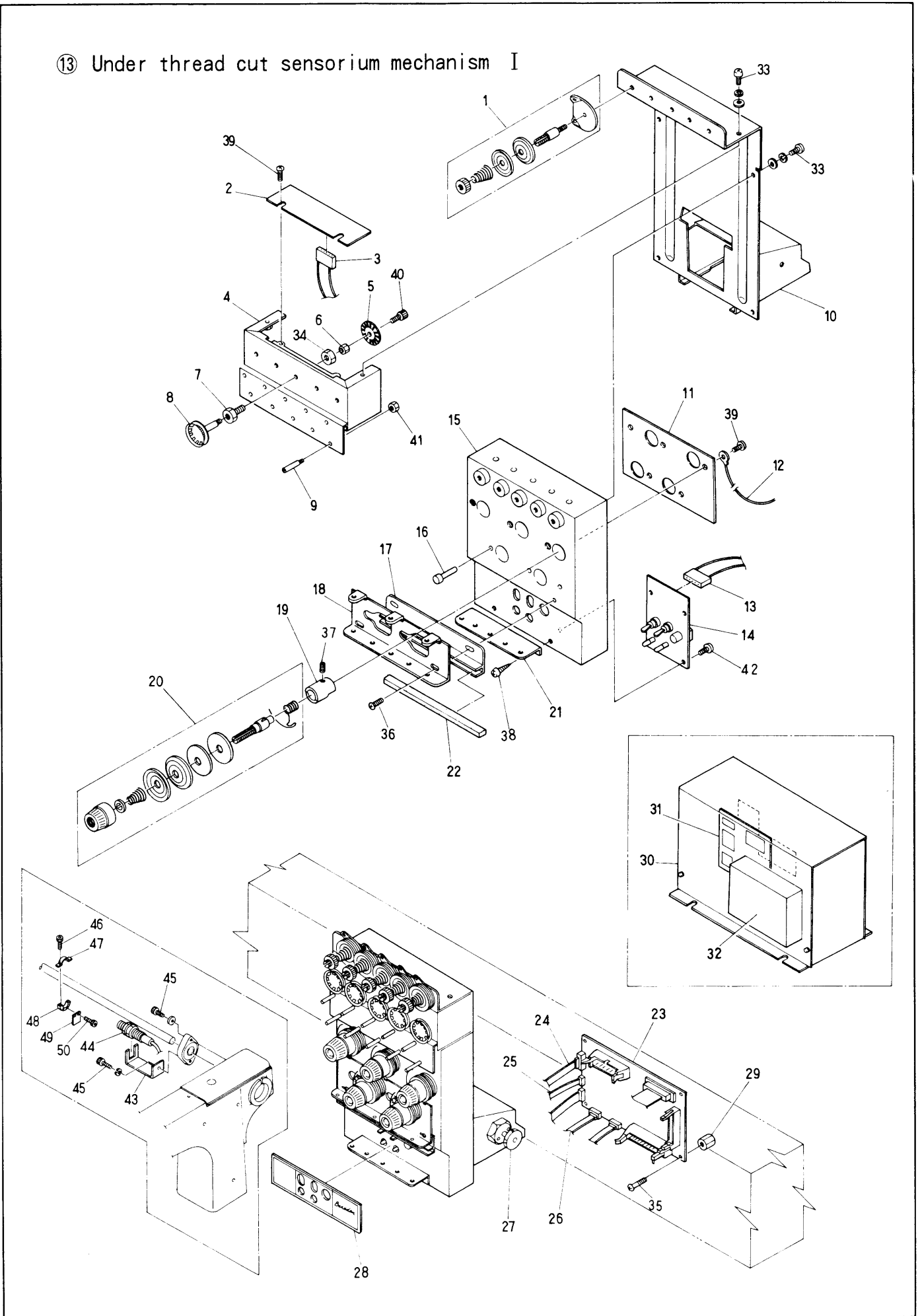
⑫ Control system <BEMRE>



⑫ Control system <BEXE>



⑬ Under thread cut sensorium mechanism I

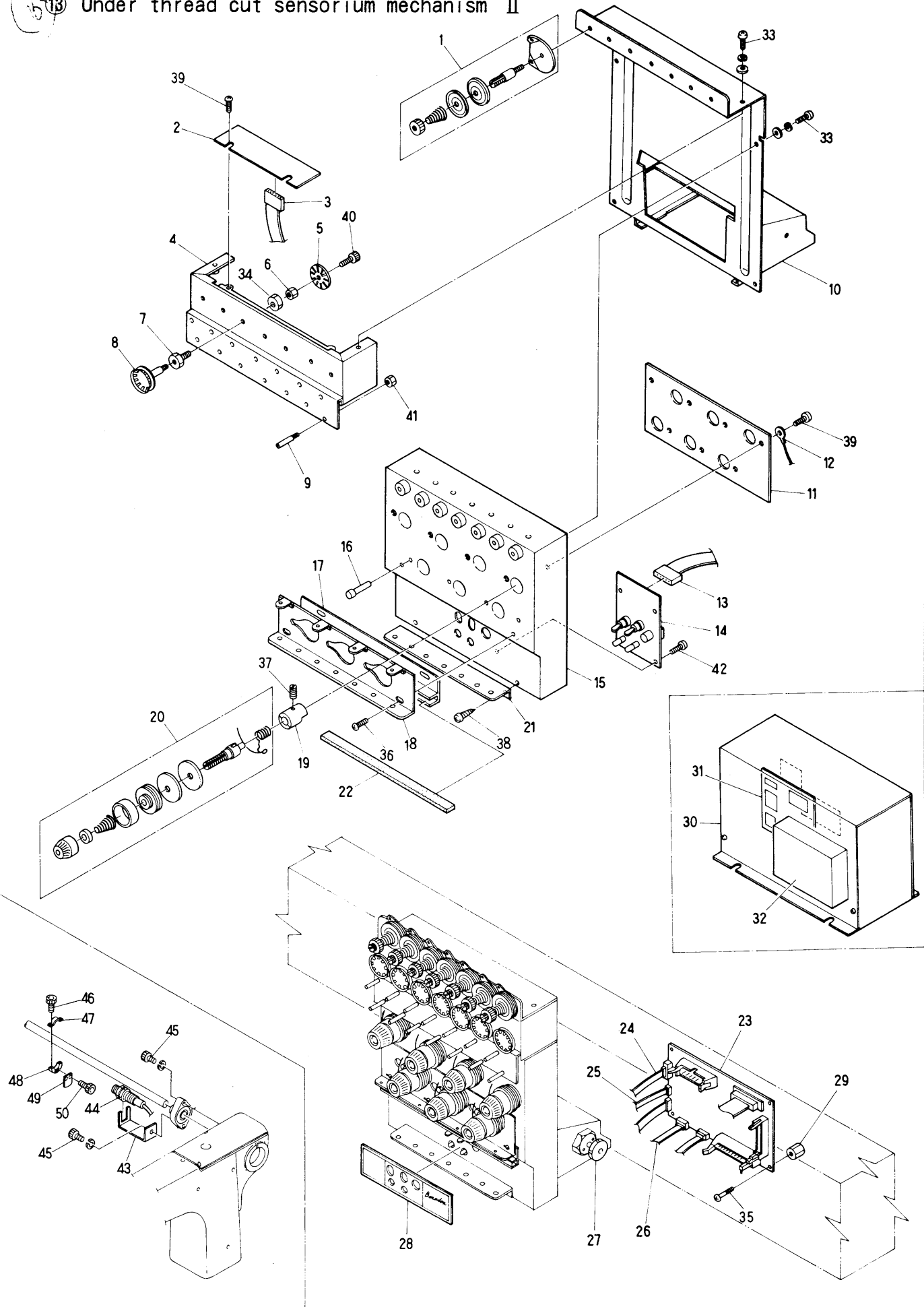


⑬ Under thread cut sensorium mechanism I

ITEM	PART No.	LIST No.	DESCRIPTION	Q'TY	REMARK
1	24A3G	KG 2 4 1 0 3 0	Upper tension unit complete US	5	
2	5463N00	KN 5 4 0 6 3 0	P.C board BAP-302-5 (5)	1	
3	5471N00	KN 5 4 0 7 1 0	Sensor cable 2	1	
4	5453N00	KN 5 4 0 5 3 0	Lower thread sensorium box (5)	1	
5	5452N00	KN 5 4 0 5 2 0	Lower thread sensorium sensor disk	5	
6	5451N00	KN 5 4 0 5 1 0	Tension wheel nut M2	5	
7	5461N00	KN 5 4 0 6 1 0	Wheel shaft metal	5	
8	5450N00	KN 5 4 0 5 0 0	Tension wheel shaft assy	5	
9	5459N00	KN 5 4 0 5 9 0	Thread guide pin	1 0	
1 0	5455N00	KN 5 4 0 5 5 0	Tension base (5)	1	
1 1	24D7P01	HP 2 4 1 3 7 1	Tension earth plate	1	
1 2	24D9P00	HP 2 4 1 3 9 0	Tension earth cable	1	
1 3	5472N00	KN 5 4 0 7 2 0	Switch cable 3	1	
1 4	5465N00	KN 5 4 0 6 5 0	P.C board BAP-303	1	
1 5	5457N00	KN 5 4 0 5 7 0	Tension base (5)	1	
1 6	24B6P00	HP 2 4 1 1 6 0	Upper thread sensorium pin	5	
1 7	24E5P00	HP 2 4 1 4 5 0	Thread guide felt fixing plate (5)	1	
1 8	24B7P00	HP 2 4 1 1 7 0	First thread guide (5)	1	
1 9	24B5P00	HP 2 4 1 1 5 0	Base (with screw)	5	
2 0	5476N00	KN 5 4 0 7 6 0	Dial type tension unit complete	5	
2 1	24B9P00	HP 2 4 1 1 9 0	Second thread guide plate (5)	1	
2 2	24E7P00	HP 2 4 1 4 7 0	Thread guide felt (5)	1	
2 3	5462N00	KN 5 4 0 6 2 0	P.C board BAP-301	1	
2 4	5475N00	KN 5 4 0 7 5 0	Thread cut cable 5	1	
2 5	5473N00	KN 5 4 0 7 3 0	Jamp cable 4	2	
2 6	5470N00	KN 5 4 0 7 0 0	Cable 1	2	
2 7	2403F	KN 2 4 0 0 3 0	Cancelling pin assy	1	
2 8	5478N00	KN 5 4 0 7 8 0	Tension base label	1	
2 9	5460N00	KN 5 4 0 6 0 0	Board fixing nut	4	
3 0	5466N00	KN 5 4 0 6 6 0	Contoral box	1	
3 1	5481N00	KN 5 4 0 8 1 0	P.C board BAP-304	1	
3 2	5482N00	KN 5 4 0 8 2 0	Power box K50-12	1	
3 3			Pan screw M4×8		
3 4			Hex, nut M8		
3 5			Truss screw M3×6		
3 6			Truss screw M4×6		
3 7			Set screw M4×6		
3 8			Tapping pan screw 3.5×8		
3 9			Truss screw M3×4		
4 0			Hex, socket bolt M2×3		
4 1			Hex, nut M2.6		
4 2			Truss screw M3×8		
4 3	5414L00	KL 5 4 0 1 4 0	Lower thread timing sensor bracket	1	
4 4	5413F	KF 5 4 0 1 3 0	Lower thread sensorium timing sensor (TLX5)	1	
4 5			Hex, socket bolt M6×30	1	

From the library of: Diamond Needle Corp

13 Under thread cut sensorium mechanism II



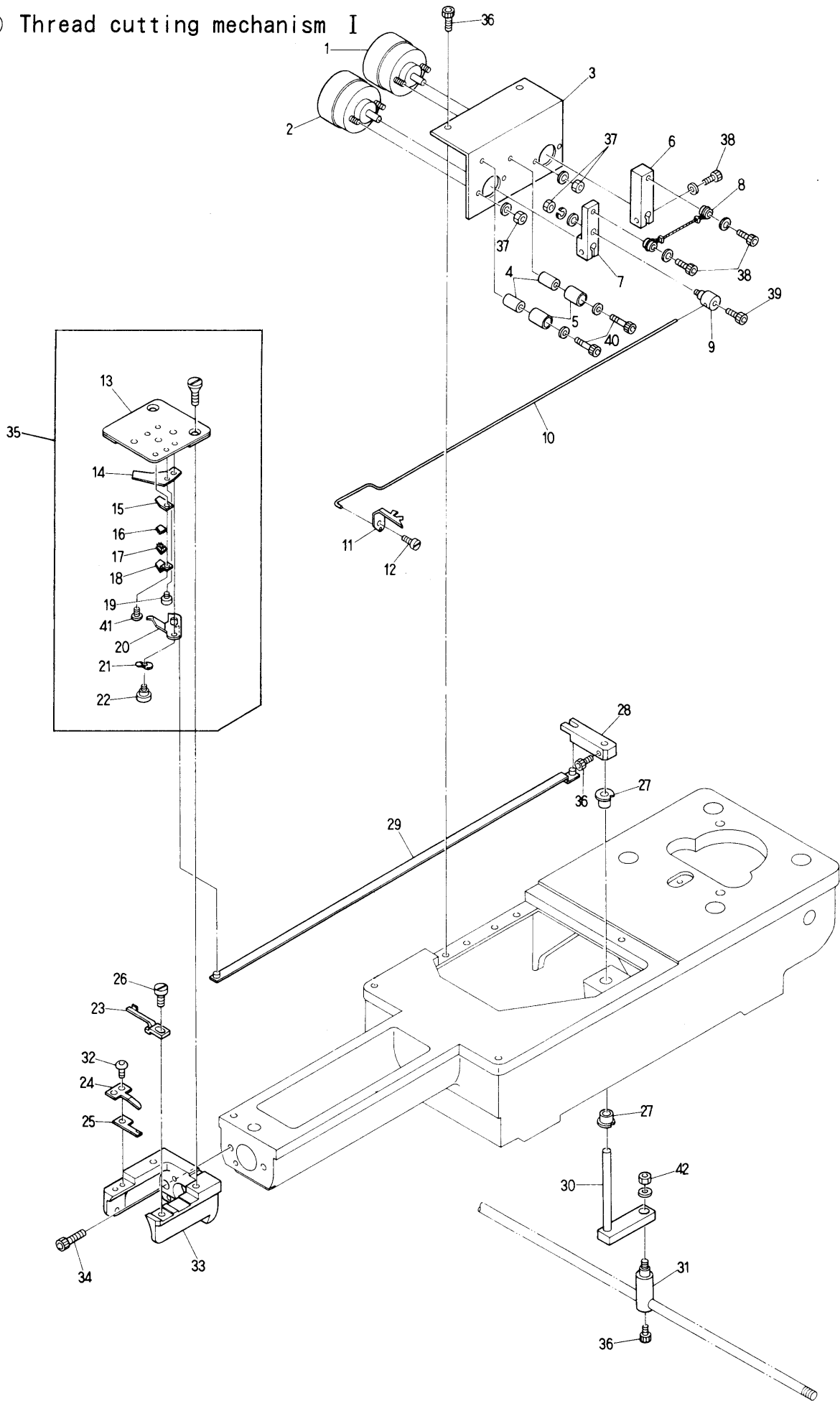
From the library of: Diamond Needle Corp

⑬ Under thread cut sensorium mechanism II

ITEM	PART No.	LIST No.	DESCRIPTION	Q'TY	REMARK
1	24A3G	KG 2 4 1 0 3 0	Upper tension unit complete	7	
2	5464N00	KN 5 4 0 6 4 0	P.C board BAP-302-7 (7)	1	
3	5471N00	KN 5 4 0 7 1 0	Sensor cable 2	1	
4	5454N00	KN 5 4 0 5 4 0	Lower thread sensorium box (7)	1	
5	5452N00	KN 5 4 0 5 2 0	Lower thread sensorium sensor disk	7	
6	5451N00	KN 5 4 0 5 1 0	Tension wheel nut M2	7	
7	5461N00	KN 5 4 0 6 1 0	Wheel shaft metal	7	
8	5450N00	KN 5 4 0 5 0 0	Tension wheel shaft assy	7	
9	5459N00	KN 5 4 0 5 9 0	Thread guide pin	1 4	
1 0	5456N00	KN 5 4 0 5 6 0	Tension base (7)	1	
1 1	24D8P01	HP 2 4 1 3 8 1	Tension earth plate (7)	1	
1 2	24D9P00	HP 2 4 1 3 9 0	Tension earth cable	1	
1 3	5472N00	KN 5 4 0 7 2 0	Switch cable 3	1	
1 4	5465N00	KN 5 4 0 6 5 0	P.C board BAP-303	1	
1 5	5458N00	KN 5 4 0 5 8 0	Tension base (7)	1	
1 6	24B6P00	HP 2 4 1 1 6 0	Upper thread sensorium pin	7	
1 7	24E6P00	HP 2 4 1 4 6 0	Thread guid felt fixing plate	1	
1 8	24B8P00	HP 2 4 1 1 8 0	First thread guide	1	
1 9	24B5P00	HP 2 4 1 1 5 0	Base (with screw)	7	
2 0	5476N00	KN 5 4 0 7 6 0	Dial type tension unit complete	7	
2 1	24C0P00	HP 2 4 1 2 0 0	Second thread guide plate (7)	1	
2 2	24E8P00	HP 2 4 1 4 8 0	Thread guide felt (7)	1	
2 3	5462N00	KN 5 4 0 6 2 0	P.C board BAP-301	1	
2 4	5475N00	KN 5 4 0 7 5 0	Thread cut cable (7)	1	
2 5	5473N00	KN 5 4 0 7 3 0	Jamp cable 4	2	
2 6	5470N00	KN 5 4 0 7 0 0	Cable 1	2	
2 7	2403F	KN 2 4 0 0 3 0	Cancelling pin assy	1	
2 8	5478N00	KN 5 4 0 7 8 0	Tension base label	1	
2 9	5460N00	KN 5 4 0 6 0 0	Board fixing nut	4	
3 0	5466N00	KN 5 4 0 6 6 0	Contorol box	1	
3 1	5481N00	KN 5 4 0 8 1 0	P.C board BAP-304	1	
3 2	5482N00	KN 5 4 0 8 2 0	Power box K50-12	1	
3 3			Pan screw M4×8		
3 4			Hex. nut M8		
3 5			Truss screw M3×6		
3 6			Truss screw M4×6		
3 7			Set screw M4×6		
3 8			Tapping pan screw 3.5×8		
3 9			Truss screw M3×4		
4 0			Hex. socket bolt M2×3		
4 1			Hex. nut M2.6		
4 2			Truss screw M3×8		
4 3	5414L00	KL 5 4 0 1 4 0	Lower thread timing sensor bracket	1	
4 4	5413F	KF 5 4 0 1 3 0	Lower thread sensorium timing sensor (TLX5)	1	
4 5			Hex. socket bolt M6×30	1	

From the library of: Diamond Needle Corp

⑭ Thread cutting mechanism I

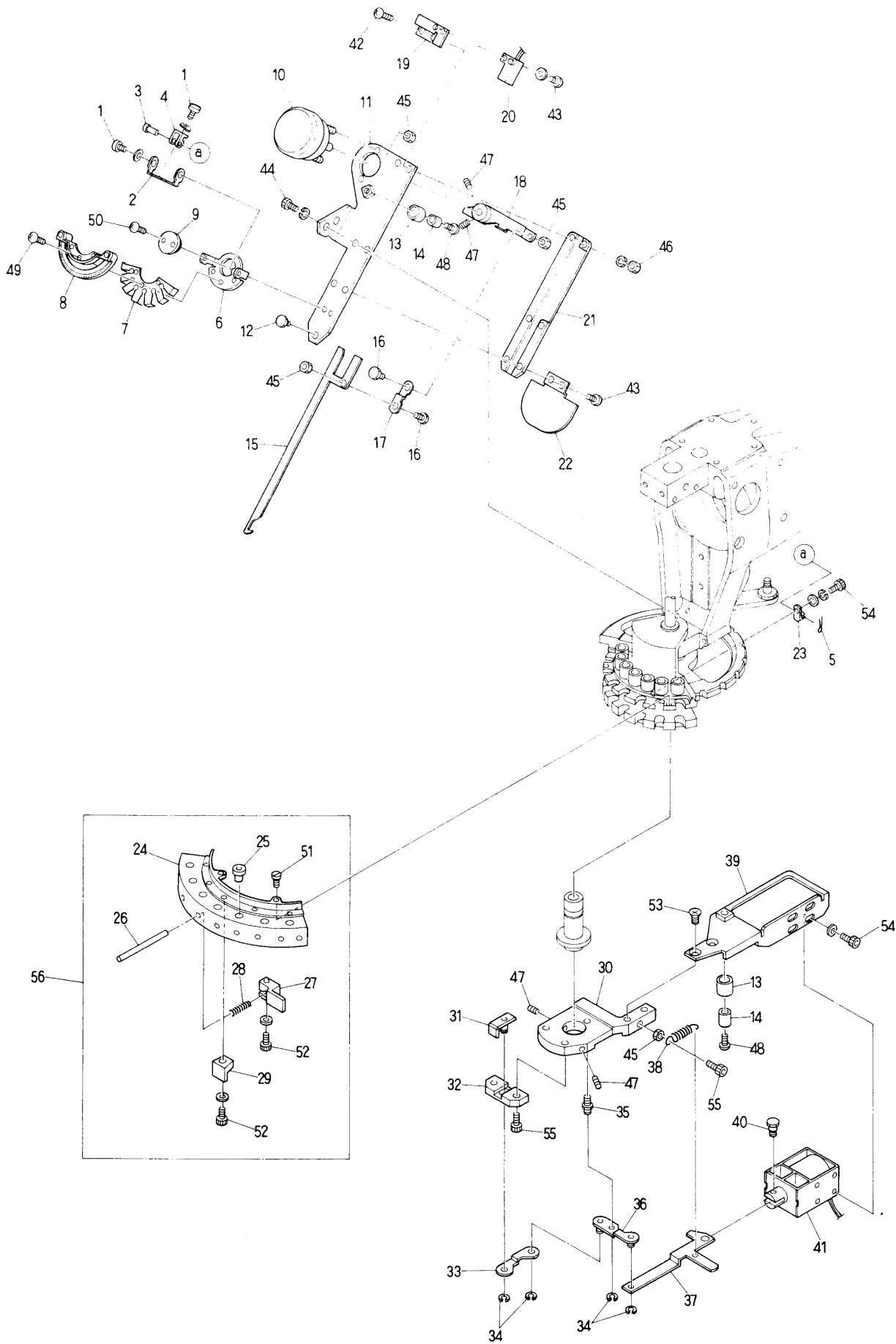


⑭ Thread cutting mechanism I

ITEM	PART No.	LIST No.	DESCRIPTION	QTY	REMARK
1	95612	A 9 0 5 6 0 1 2	Rotary solenoid (3EL25X3.8.9)	1	
2	95608	A 9 0 5 6 0 0 8	Rotary solenoid (3ER25X3.8.9)	1	
3	27J6C	KC 2 7 1 9 6 0	Solenoid stay	1	
4	27G5N01	KN 2 7 1 6 5 1	Stopper eccentric	2	
5	27G6N01	KN 2 7 1 6 6 1	Eccentric cover	2	
6	27J5C	KC 2 7 1 9 5 0	Solenoid lever B	1	
7	27J4C	KC 2 7 1 9 4 0	Solenoid lever A	1	
8	27J7C	KC 2 7 1 9 7 0	Drive rope	1	
9	27A4C01	KC 2 7 1 0 4 1	Connecting clamp	1	
10	27A3C01	KC 2 7 1 0 3 1	Hook drive rod	1	
11	27A2C01	KC 2 7 1 0 2 1	Hook	1	
12	27A0C	KC 2 7 1 0 0 0	Upper thread cutter turning shaft	1	
13	2794C	KC 2 7 0 9 4 0	Needle plate	1	
14	2796C	KC 2 7 0 9 6 0	Fixed cutter	1	
15	27C2C	KC 2 7 1 2 2 0	Lower thread support stay (Upper)	1	
16	27C1C01	KC 2 7 1 2 1 1	Magic tape (Upper)	1	
17	27C0C01	KC 2 7 1 2 0 1	Magic tape (Lower)	1	
18	27B9C01	KC 2 7 1 1 9 1	Lower thread support stay (Lower)	1	
19	2798C	KC 2 7 0 9 8 0	Fixed cutter set screw	1	
20	2795C	KC 2 7 0 9 5 0	Lower thread cutter	1	
21	91345	A 9 0 1 3 0 4 5	Wave washer (WW5)	1	
22	2797C	KC 2 7 0 9 7 0	Lower thread cutter turret shaft	1	
23	2264C01	KC 2 2 0 6 4 1	Bobbin case fixing plate	1	
24	2719N00	KN 2 7 1 8 9 0	Cutter fixing plate	1	
25	27G0N00	KN 2 7 1 6 0 0	Upper thread cutter	1	
26			Screw (SM11/64 40×7)	1	
27	912B4	A 9 0 1 2 1 1 4	DU bush (MB0505-10FDU)	1	
28	27B2C	KC 2 7 1 1 2 0	Lower thread cutter drive lever (Upper)	1	
29	27A7C	KC 2 7 1 0 7 0	Lower thread cutter drive rod	1	
30	27B3C	KC 2 7 1 1 3 0	Lower thread cutter drive lever (Lower)	1	
31	2364F	TF 2 3 0 6 4 0	Lock connecting bar clamp	1	
32			Hex. socket botton bolt M3×6	1	
33	2112L00	KL 2 1 0 1 2 0	Needle plate bracket (SRE-T)	1	
34			Hex. socket bolt M5×15	1	
35	27B8C	KC 2 7 1 1 8 0	Cylinder needle plate CMP	1	
36			Hex. socket bolt M4×8		
37			Hex. nut M3		
38			Hex. socket bolt M4×10		
39			Hex. socket bolt M3×5		
40			Hex. socket bolt M4×18		
41			Pan screw M3×3		
42			Hex. nut M4		

From the library of: Diamond Needle Corp

⑭ Thread cutting mechanism II



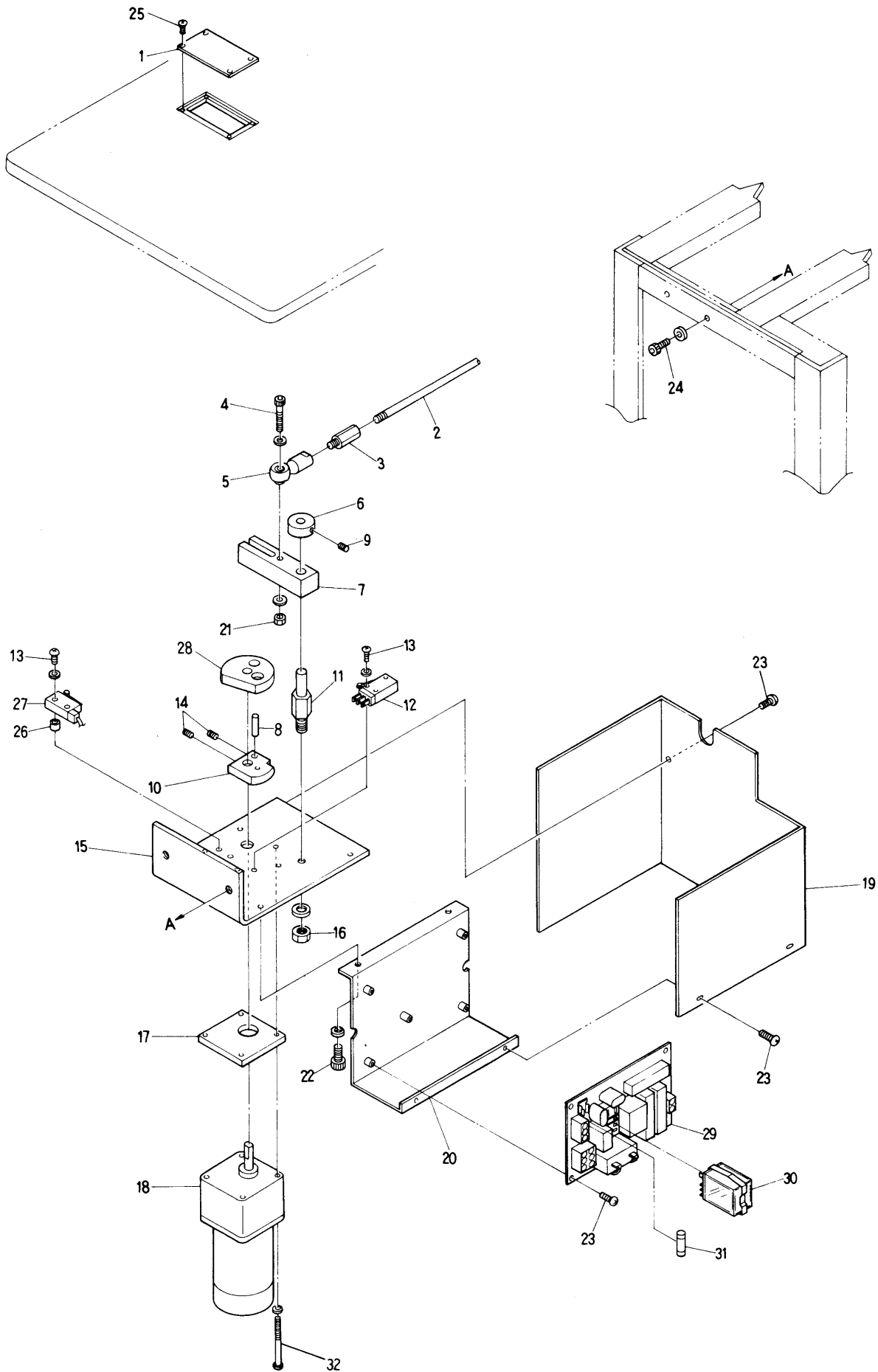
⑭ Thread cutting mechanism II

(N=needle Q'ty)

ITEM	PART No.	LIST No.	DESCRIPTION	Q'TY	REMARK
1	2722L00	KL 2 7 0 2 2 0	Link turret pin	2	
2	2721L00	KL 2 7 0 2 1 0	Link	1	
3	2724L00	KL 2 7 0 2 4 0	Link guide pin	1	
4	2723L00	KL 2 7 0 2 3 0	Connecting link	1	
5			Slit pin 0.8×8	1	
6	2718L00	KL 2 7 0 1 8 0	Thread hanger plate fixing plate	1	
7	2720L00	KL 2 7 0 2 0 0	Upper thread support plate spring	1	
8	2719L00	KL 2 7 0 1 9 0	Thread hanger plate	1	
9	2717L00	KL 2 7 0 1 7 0	Thread hanger plate turret pin	1	
10	95607	A 9 0 5 6 0 0 7	Rotary solenoid	1	
11	2708L00	KL 2 7 0 0 8 0	Thread away base	1	
12	2716L00	KL 2 7 0 1 6 0	Thread support open pin	1	
13	2715L00	KL 2 7 0 1 5 0	Eccentric cover	2	
14	2714L00	KL 2 7 0 1 4 0	Stopper eccent	2	
15	2710L00	KL 2 7 0 1 0 0	Thread away hook	1	
16	2713L00	KL 2 7 0 1 3 0	Lever connecting pin	2	
17	2712L00	KL 2 7 0 1 2 0	Connecting plate	1	
18	2711L00	KL 2 7 0 1 1 0	Thread away solenoid lever	1	
19	2726L00	KL 2 7 0 2 6 0	Switch stay	1	
20	95228	A 9 0 5 2 0 2 8	Limit switch (RS-603)	1	
21	2709L00	KL 2 7 0 0 9 0	Thread away hook guide	1	
22	2727L00	KL 2 7 0 2 7 0	Thread away base cover	1	
23	2725L00	KL 2 7 0 2 5 0	Link driving pin	1	
24	2728C03	KC 2 7 0 2 8 3	Thread support apron (5)	1	
	2728G02	KG 2 7 0 2 8 2	Thread support apron (7)	1	
25	2358F	KF 2 3 0 5 8 0	Take up lever ceramic	N×1	
26	2731G	KG 2 7 0 3 1 0	Thread support pin (7)	N×1	
27	2730C01	KC 2 7 0 3 0 1	Thread support clamp	N×1	
28	2727C01	KC 2 7 0 2 7 1	Support spring	N×1	
29	2729C01	KC 2 7 0 2 9 2	Thread support block	N×1	
30	2700L00	KL 2 7 0 0 0 0	Fixing base	1	
31	2702L00	KL 2 7 0 0 2 0	Thread support slider	1	
32	2701L00	KL 2 7 0 0 1 0	Slide base	1	
33	2703L00	KL 2 7 0 0 3 0	Driving plate	1	
34	912C7	A 9 0 1 2 1 2 7	E-ring	4	
35	2704L00	KL 2 7 0 0 4 0	Lever turret pin	1	
36	2705L00	KL 2 7 0 0 5 0	Solenoid lever	1	
37	2706L00	KL 2 7 0 0 6 0	Lever connecting plate	1	
38	2740C	KC 2 7 0 4 0 0	Thread support lever spring	1	
39	2707L00	KL 2 7 0 0 7 0	Solenoid stay	1	
40	2710C01	KC 2 7 0 1 0 1	Solenoid pin	1	
41	95613	A 9 0 5 6 0 1 3	Keep solenoid	1	
42			Truss screw M3×10		
43			Truss screw M3×6		
44			Hex. socket bolt M4×12		

From the library of: Diamond Needle Corp

⑮ Thread cutting drive mechanism <BESRE, BEXE> III



I N D E X

L I S T No.	PART No.	PAGENO.	ITEM	L I S T No.	PART No.	PAGENO.	ITEM
1A123804800	1C00010	5	1 1	A 9 0 5 3 0 3 3	95333	2 9	3 8
1BL123804800	2B00010	5	1	A 9 0 5 6 0 0 7	95607	4 3	1 0
1 J P 1 0 4 3 0	7A07PL0	1 9	1	A 9 0 5 6 0 0 8	95608	4 1	2
1 L K C 4 5 0 0 2 0	7380C	2 3	1 3	A 9 0 5 6 0 1 2	95612	4 1	1
1 L K C 4 5 0 0 2 0	7380C	2 5	1 3	A 9 0 5 6 0 1 3	95613	4 3	4 1
1PL12380480	3B00080	1 7	5 4	A 9 0 6 5 0 2 6	96526	4 5	1 8
A 9 0 1 0 0 0 6	91006	2 7	2	A 9 0 6 5 0 2 6	96526	4 7	1 8
A 9 0 1 0 0 0 6	91006	2 9	1 2	E A Y 0 0 9 A 1	51J2CA1	3 1	1
A 9 0 1 0 0 0 9	91009	1 1	1 0	E A Y 0 0 9 A 2	51J2CA2	3 1	2 1
A 9 0 1 0 0 1 7	91017	7	5	E A Y 0 0 9 A 3	51J2CA3	3 1	2 0
A 9 0 1 0 0 1 7	91017	1 7	5 7	E A Y 0 1 0 A 2	51L2CA2	3 1	2 1
A 9 0 1 1 0 0 1	91101	2 7	1 3	E A Y 0 1 0 A 3	51L2CA3	3 1	2 0
A 9 0 1 1 0 1 7	91117	1 7	4	E A Y 0 1 1 A 1	51J3CA1	3 5	1
A 9 0 1 1 0 2 1	91121	9	2 2	E A Y 0 1 1 A 2	51J3CA2	3 5	4
A 9 0 1 1 0 2 2	91122	9	2 3	E A Y 0 1 1 A 3	51J3CA3	3 5	2 0
A 9 0 1 1 0 2 3	91123	9	2 1	E A Y 0 1 2 A 2	51L3CA2	3 5	4
A 9 0 1 1 0 2 8	91128	2 3	1 1	E A Y 0 1 2 A 3	51L3CA3	3 5	2 0
A 9 0 1 1 0 2 8	91128	2 5	1 1	E A Y 0 1 7 A 1	51G3NA1	3 3	2 5
A 9 0 1 1 0 6 3	91163	2 9	1 0	E A Y 0 1 7 A 2	51G3NA2	3 3	2 6
A 9 0 1 1 0 7 9	91179	2 9	2 5	E A Y 0 1 7 A 3	51G3NA3	3 3	2 2
A 9 0 1 2 0 0 1	91201	2 1	3 9	E A Y 0 1 8 A 3	51G4NA3	3 3	2 2
A 9 0 1 2 0 0 2	91202	2 1	4 0	E B E 0 0 0 1 0	55N0000	4 5	2 9
A 9 0 1 2 0 0 2	91202	4 5	5	E B Y 0 0 0 6 0	55C0050	3 1	4
A 9 0 1 2 0 0 2	91202	4 7	5	E B Y 0 0 0 8 0	55C0070	3 1	2 2
A 9 0 1 2 0 0 3	91203	9	5 8	E B Y 0 0 0 8 0	55C0070	3 5	7
A 9 0 1 2 0 0 5	91205	9	5 8	E B Y 0 0 0 9 0	55C0080	3 1	3
A 9 0 1 2 0 0 7	91207	7	3 4	E B Y 0 0 1 1 0	55C0110	3 1	9
A 9 0 1 2 0 2 7	91227	7	5 7	E B Y 0 0 1 1 0	55C0110	3 5	5
A 9 0 1 2 0 5 2	91252	2 7	2 1	E B Y 0 0 1 5 0	55C0150	1 3	6
A 9 0 1 2 0 5 2	91252	2 9	2 3	E B Y 0 0 1 5 0	55C0150	1 5	6
A 9 0 1 2 1 1 4	912B4	4 1	2 7	E B Y 0 0 1 8 0	55C0180	2 1	6
A 9 0 1 2 1 2 7	912C7	4 3	3 4	E B Y 0 0 1 9 0	55C0190	3 1	2
A 9 0 1 2 1 3 7	912D7	2 1	5 0	E B Y 0 0 2 6 0	55Y0020	3 5	9
A 9 0 1 2 1 4 3	912E3	2 1	4 7	E B Y 0 0 2 7 0	55Y0030	3 5	1 0
A 9 0 1 2 2 0 3	912K3	2 1	2 0	E B Y 0 0 2 9 0	55N0040	3 1	7
A 9 0 1 3 0 4 5	91345	3 7	2 1	E B Y 0 0 3 0 0	55N0050	3 1	7
A 9 0 1 4 0 6 3	91463	7	6 0	E B Y 0 0 3 1 0	55N0060	3 1	6
A 9 0 2 0 0 6 6	92066	1 7	4 3	E B Y 0 0 3 2 0	55N0070	3 1	8
A 9 0 2 0 0 9 8	92098	2 9	1 9	E B Y 0 0 3 4 0	55Y0050	3 5	2
A 9 0 5 1 0 0 3	95103	4 5	3 0	E B Y 0 0 3 5 0	55Y0060	3 5	3
A 9 0 5 2 0 0 5	95205	4 5	1 2	E B Y 0 0 4 1 0	55N0090	3 1	5
A 9 0 5 2 0 0 5	95205	4 7	1 2	E B Y 0 0 4 5 0	55R0000	3 3	1
A 9 0 5 2 0 0 6	95206	4 5	2 7	E B Y 0 0 4 6 0	55R0010	3 3	2
A 9 0 5 2 0 2 8	95228	4 3	2 0	E B Y 0 0 4 7 0	55R0020	3 3	3
A 9 0 5 3 0 3 3	95333	2 7	4 4	E B Y 0 0 4 8 0	55R0030	3 3	4

From the library of: Diamond Needle Corp

I N D E X

LIST No.	PART No.	PAGENO.	ITEM	LIST No.	PART No.	PAGENO.	ITEM
E B Y 0 0 4 9 0	55R0040	3 3	5	H P 2 4 1 1 5 0	24B5P00	3 9	1 9
E B Y 0 0 5 1 0	55R0060	3 3	1 1	H P 2 4 1 1 6 0	24B6P00	1 3	3
E B Y 0 0 5 2 0	55R0070	3 3	1 0	H P 2 4 1 1 6 0	24B6P00	1 5	3
E B Y 0 0 5 3 0	55R0080	3 3	8	H P 2 4 1 1 6 0	24B6P00	3 7	1 6
E B Y 0 0 5 4 0	55R0090	3 3	7	H P 2 4 1 1 6 0	24B6P00	3 9	1 6
E B Y 0 0 5 5 0	55R0100	3 3	9	H P 2 4 1 1 7 0	24B7P00	1 3	9
E B Y 0 0 5 6 0	55R0110	3 3	1 2	H P 2 4 1 1 7 0	24B7P00	3 7	1 8
E B Y 0 0 5 7 0	55R0120	3 3	6	H P 2 4 1 1 7 0	24B7P00	3 9	1 8
E B Y 0 0 5 9 0	55N0130	3 5	1 1	H P 2 4 1 1 8 0	24B8P00	1 5	9
E B Y 0 0 6 3 0	55R0140	3 3	2 1	H P 2 4 1 1 9 0	24B9P00	1 3	7
E B Y 0 0 6 4 0	55Y0100	3 5	9	H P 2 4 1 1 9 0	24B9P00	3 7	2 1
E B Y 0 5 0 0	55R0050	3 3	2 4	H P 2 4 1 1 9 0	24B9P00	3 9	2 1
H H 1 2 0 9 0 0	1290H	1 9	7	H P 2 4 1 2 0 0	24C0P00	1 5	7
H H 3 2 0 5 5 0	3255H	1 7	3 2	H P 2 4 1 2 1 0	24C1P00	1 1	1 8
H H 4 7 0 0 8 0	4708H	2 3	1 0	H P 2 4 1 3 7 1	24D7P01	1 3	4
H H 4 7 0 0 8 0	4708H	2 5	1 0	H P 2 4 1 3 7 1	24D9P00	1 5	5
H H 4 7 0 1 8 0	4718H	2 7	9	H P 2 4 1 3 7 1	24D9P00	3 7	1 1
H H 4 8 0 3 0 0	4830H	2 9	2 0	H P 2 4 1 3 7 1	24D9P00	3 9	1 1
H H 4 8 0 3 1 0	4831H	2 7	7	H P 2 4 1 3 8 1	24D8P01	1 5	4
H H 4 8 0 3 1 0	4831H	2 9	1 8	H P 2 4 1 3 9 0	24D9P00	1 3	5
H H 4 8 0 4 1 0	4841H	2 7	2 0	H P 2 4 1 3 9 0	24D9P00	3 7	1 2
H H 4 8 1 0 3 0	48A3H	2 7	5	H P 2 4 1 3 9 0	24D9P00	3 9	1 2
H H 4 8 1 9 0 0	48J0H	2 7	5 4	H P 2 4 1 4 0 0	24E0P00	1 3	1 3
H H 4 8 1 9 0 0	48J0H	2 9	2	H P 2 4 1 4 0 0	24E0P00	1 5	1 3
H H 4 8 1 9 3 1	48J3H01	2 7	5 2	H P 2 4 1 4 1 0	24E1P00	1 3	1 2
H H 4 8 1 9 3 1	48J3H01	2 9	3	H P 2 4 1 4 1 0	24E1P00	1 5	1 2
H H 4 8 1 9 3 1	48J3H01	2 5	8	H P 2 4 1 4 5 0	24E5P00	1 3	8
H H 4 8 1 9 7 0	48J7H	2 9	1 1	H P 2 4 1 4 5 0	24E5P00	3 7	1 7
H H 4 8 1 9 9 1	48J9H01	2 9	2 6	H P 2 4 1 4 5 0	24E5P00	3 9	1 7
H H 4 8 2 1 1 0	48L1H	2 9	2 9	H P 2 4 1 4 6 0	24E6P00	1 5	8
H P 2 3 1 2 9 0	23C9P00	9	2 9	H P 2 4 1 4 7 0	24E7P00	1 3	1 0
H P 2 3 1 3 0 1	23D0P01	9	2 7	H P 2 4 1 4 7 0	24E7P00	3 7	2 2
H P 2 3 1 3 1 0	23D1P00	9	2 4	H P 2 4 1 4 7 0	24E7P00	3 9	2 2
H P 2 3 1 3 3 0	23D3P00	1 1	9	H P 2 4 1 4 8 0	24E8P00	1 5	1 0
H P 2 3 1 3 4 0	23D4P00	9	5 5	H P 2 5 0 0 5 0	2505P00	1 3	1 7
H P 2 3 1 3 7 0	23D7P00	9	2 6	H P 2 5 0 5 8 1	2558P01	1 3	1 6
H P 2 3 1 3 9 0	23D9P00	7	1 3	H P 2 5 0 5 8 1	2558P01	1 5	1 6
H P 2 4 0 0 2 0	2402P00	1 1	1	H P 3 1 2 9 4 0	31T4N00	1 7	5
H P 2 4 1 1 1 0	24B1P00	1 3	2	H P 3 1 3 4 0 1	31Y0P01	1 7	4 4
H P 2 4 1 1 2 0	24B2P00	1 5	2	H P 3 1 3 4 3 0	31Y3P01	1 7	2 4
H P 2 4 1 1 3 0	24B3P00	1 1	1 9	H P 3 1 3 4 8 0	31Y8P00	1 7	2 3
H P 2 4 1 1 4 0	24B4P00	1 1	1 9	H P 3 1 4 6 3 1	31DZP01	1 7	4 7
H P 2 4 1 1 5 0	24B5P00	1 3	1 1	H P 3 1 4 6 7 0	31EDP00	1 7	8
H P 2 4 1 1 5 0	24B5P00	1 5	1 1	H P 3 2 1 1 4 0	32B4P00	1 7	5 9
H P 2 4 1 1 5 0	24B5P00	3 7	1 9	H P 4 8 2 9 8 0	48T8P00	2 9	2 4

From the library of: Diamond Needle Corp

I N D E X

L I S T No.	PART No.	PAGENO.	ITEM	L I S T No.	PART No.	PAGENO.	ITEM
HP 4 8 2 9 9 0	48T9P00	2 9	6	KC 2 7 1 1 6 2	27B6C02	4 5	1 5
HP 5 4 0 8 4 0	5484P00	3 7	4 9	KC 2 7 1 1 6 2	27B6C02	4 7	1 5
HP 5 4 0 8 4 0	5484P00	3 9	4 9	KC 2 7 1 1 7 2	27B7C02	4 5	1 0
HP 5 4 0 8 5 0	5485P00	3 7	4 7	KC 2 7 1 1 7 2	27B7C02	4 7	1 0
HP 5 4 0 8 5 0	5485P00	3 9	4 7	KC 2 7 1 1 8 0	27B8C	4 1	3 5
HP 5 4 0 8 6 0	5486P00	3 7	4 8	KC 2 7 1 1 9 1	27B9C01	4 1	1 8
HP 5 4 0 8 6 0	5486P00	3 9	4 8	KC 2 7 1 2 0 1	27C0C01	4 1	1 7
HP 7 1 0 7 9 0	7179P00	1 9	1 6	KC 2 7 1 2 1 1	27C1C01	4 1	1 6
HP 7 1 1 2 0 0	71C0P00	1 9	1 8	KC 2 7 1 2 2 0	27C2C	4 1	1 5
KC 0 2 0 2 2 0	5222C	3 5	6	KC 2 7 1 3 9 0	27D9C	4 5	2 8
KC 1 1 0 9 7 0	1197C	1 9	1 2	KC 2 7 1 4 3 0	27E3C	4 5	1 7
KC 1 2 0 8 4 1	1284C01	5	1 5	KC 2 7 1 4 3 0	27E3C	4 7	1 7
KC 1 2 0 8 6 0	1286C	5	1 0	KC 2 7 1 4 4 0	27E4C	4 5	1
KC 1 4 0 5 3 0	1453C	5	1 4	KC 2 7 1 4 4 0	27E4C	4 7	1
KC 1 4 0 5 4 0	1454C	5	1 6	KC 2 7 1 4 7 0	27E7C	4 5	2 0
KC 1 4 0 5 6 0	1456C	5	1 3	KC 2 7 1 9 4 0	27J4C	4 1	7
KC 1 4 0 6 3 0	1463C	2 7	2 6	KC 2 7 1 9 5 0	27J5C	4 1	6
KC 1 5 0 1 5 1	1515C01	5	1 9	KC 2 7 1 9 6 0	27J6C	4 1	3
KC 2 2 0 2 1 0	2221C	7	4 0	KC 2 7 1 9 7 0	27J7C	4 1	8
KC 2 2 0 6 4 1	2264C01	4 1	2 3	KC 3 1 0 1 1 0	3111C	1 7	4 0
KC 2 5 0 4 7 1	2547C01	7	5 5	KC 3 1 0 1 2 0	3112C	1 7	4 1
KC 2 5 0 4 8 1	2548C01	7	5 4	KC 3 1 2 8 0 0	31S0C	1 7	1 5
KC 2 7 0 1 0 1	2710C01	4 3	4 0	KC 3 1 2 8 3 1	31S3C01	1 7	4 5
KC 2 7 0 2 7 1	2727C01	4 3	2 8	KC 3 1 2 8 5 1	31S5C01	1 7	1 1
KC 2 7 0 2 8 3	2728C03	4 3	2 4	KC 3 1 2 8 9 0	31S9C	1 7	3 6
KC 2 7 0 2 9 2	2729C01	4 3	2 9	KC 3 1 2 9 1 1	31T1C01	1 7	2 8
KC 2 7 0 3 0 1	2730C01	4 3	2 7	KC 3 1 2 9 2 1	31T2C01	1 7	3 8
KC 2 7 0 4 0 0	2740C	4 3	3 8	KC 3 2 0 5 9 0	3259C	1 7	3 3
KC 2 7 0 7 6 1	2776C01	4 3	5 6	KC 3 2 0 8 2 0	3282C00	1 7	6 0
KC 2 7 0 9 4 0	2794C	4 1	1 3	KC 3 3 0 1 3 0	3313C	2 1	7
KC 2 7 0 9 5 0	2795C	4 1	2 0	KC 3 3 0 1 6 0	3316C	2 1	9
KC 2 7 0 9 6 0	2796C	4 1	1 4	KC 3 3 0 1 7 0	3317C	2 1	3
KC 2 7 0 9 7 0	2797C	4 1	2 2	KC 3 3 0 1 8 0	3318C	2 1	1 0
KC 2 7 0 9 8 0	2798C	4 1	1 9	KC 3 3 0 1 8 0	3318C	4 5	6
KC 2 7 1 0 0 0	27A0C	4 1	1 2	KC 3 3 0 1 8 0	3318C	4 7	6
KC 2 7 1 0 2 1	27A2C01	4 1	1 1	KC 3 3 0 1 9 0	3319C	2 1	8
KC 2 7 1 0 3 1	27A3C01	4 1	1 0	KC 3 3 0 2 1 0	3321C	2 1	2 5
KC 2 7 1 0 4 1	27A4C01	4 1	9	KC 3 3 0 2 3 0	3323C	2 1	4 8
KC 2 7 1 0 7 0	27A7C	4 1	2 9	KC 3 3 0 2 6 0	3326C	2 1	3 1
KC 2 7 1 1 2 0	27B2C	4 1	2 8	KC 3 3 0 2 8 0	3328C	2 1	2
KC 2 7 1 1 3 0	27B3C	4 1	3 0	KC 3 3 0 2 9 0	3329C	2 1	5 2
KC 2 7 1 1 4 0	27B4C	4 5	7	KC 3 3 0 4 1 0	3341C	9	1 5
KC 2 7 1 1 4 0	27B4C	4 7	7	KC 3 3 0 4 1 0	3341C	4 5	2
KC 2 7 1 1 5 1	27B5C01	4 5	1 1	KC 3 3 0 4 1 0	3341C	4 7	2
KC 2 7 1 1 5 1	27B5C01	4 7	1 1	KC 3 3 0 5 1 0	3351C	2 1	3 8

From the library of: Diamond Needle Corp

I N D E X

L I S T No.	PART No.	PAGENO.	ITEM	L I S T No.	PART No.	PAGENO.	ITEM
K C 3 3 0 5 1 0	3351C	4 5	3	K C 4 8 1 3 6 0	48D6C	2 7	3 3
K C 3 3 0 5 1 0	3351C	4 7	3	K C 5 2 0 0 2 0	5202C	3 3	1 9
K C 3 3 0 6 1 0	3361C	2 1	2 1	K C 5 2 0 0 2 0	5202C	3 1	1 7
K C 3 3 0 8 1 0	3381C	2 1	2 7	K C 5 2 0 0 2 0	5202C	3 5	1 8
K C 3 3 0 8 5 0	3385C	2 1	4 3	K C 5 2 0 2 2 0	5222C	3 3	2 3
K C 3 3 0 9 1 0	3391C	2 1	3 2	K C 5 2 0 2 2 0	5222C	3 1	1 0
K C 4 5 0 1 8 0	4518C	2 7	2 8	K C 5 3 0 2 3 0	5323C00	3 3	1 6
K C 4 5 0 1 8 0	4518C	2 9	3 7	K C 5 3 0 2 3 0	5323C00	3 1	1 4
K C 4 5 0 1 9 0	4519C	2 7	2 9	K C 5 3 0 2 3 0	5323C00	3 5	1 5
K C 4 5 0 1 9 0	4519C	2 9	3 3	K C 5 3 0 2 4 0	5324C00	3 3	1 4
K C 4 5 0 4 7 0	4547C	2 7	5 1	K C 5 3 0 2 4 0	5324C00	3 1	1 2
K C 4 5 0 4 7 0	4547C	2 9	3 4	K C 5 3 0 2 4 0	5324C00	3 5	1 3
K C 4 5 0 4 8 0	4548C	2 7	2 3	K C 3 3 0 3 1 0 3 8 0	3331C	9	5 6
K C 4 5 0 4 8 0	4548C	2 9	3 6	K F 2 2 0 1 3 0	2213F	7	1 1
K C 4 5 0 7 3 0	4573C	2 3	1	K F 2 2 0 2 3 0	2223F	7	4 4
K C 4 5 0 7 3 0	4573C	2 5	1	K F 2 2 0 2 7 0	2227F	7	2 7
K C 4 5 0 9 6 0	4596C	2 7	2 2	K F 2 2 0 2 9 0	2229F	7	3 7
K C 4 5 0 9 7 0	4597C	2 9	1 6	K F 2 2 0 3 1 0	2231F	7	4 9
K C 4 7 0 1 9 0	4719C	2 7	1 6	K F 2 2 0 3 7 0	2237F	7	5 2
K C 4 7 0 4 6 0	4746C	2 9	3 2	K F 2 2 0 4 1 0	2241F	7	5 1
K C 4 7 0 5 2 0	4752C	2 7	1 5	K F 2 2 0 4 6 0	2246F	7	1 9
K C 4 7 0 5 4 0	4754C	2 7	1 9	K F 2 2 0 4 7 0	2247F	7	2 6
K C 4 7 0 5 9 0	4759C	2 7	1 1	K F 2 2 0 4 8 0	2248F	7	3 5
K C 4 7 0 6 2 0	4762C	2 7	1 4	K F 2 2 0 7 5 0	2275F00	7	4 9
K C 4 7 0 6 4 0	4764C	2 7	1 1	K F 2 3 0 0 1 0	2301F	9	4 2
K C 4 7 0 6 5 0	4765C	2 7	6	K F 2 3 0 1 5 0	2315F	9	5 9
K C 4 8 0 1 3 1	4813C01	2 9	2 2	K F 2 3 0 1 5 0	2315F	2 1	2 2
K C 4 8 0 1 9 0	4819C	2 3	7	K F 2 3 0 1 8 0	2318F	9	4 3
K C 4 8 0 2 1 0	4821C	2 7	4	K F 2 3 0 2 1 0	2321F	9	4 5
K C 4 8 0 2 3 1	4823C01	2 9	1 5	K F 2 3 0 2 3 0	2323F	9	4 9
K C 4 8 0 2 4 0	4824C	2 7	1	K F 2 3 0 2 4 0	2324F	9	5 0
K C 4 8 0 2 6 0	4826C	2 7	3	K F 2 3 0 2 5 0	2325F	9	5 1
K C 4 8 0 2 6 0	4826C	2 9	1 3	K F 2 3 0 3 2 0	2332F	9	2
K C 4 8 0 2 7 0	4827C	2 7	1 8	K F 2 3 0 3 6 0	2336F	2 1	1 7
K C 4 8 0 3 2 0	4832C	2 7	2 4	K F 2 3 0 4 2 0	2342F	7	3 0
K C 4 8 0 3 3 0	4833C	2 7	1 0	K F 2 3 0 4 5 0	2345F	9	2 8
K C 4 8 0 3 5 0	4835C	2 3	1 5	K F 2 3 0 4 8 0	2348F	9	3 0
K C 4 8 0 3 5 0	4835C	2 5	1 5	K F 2 3 0 5 0 0	2350F	9	3 7
K C 4 8 0 3 8 0	4838C	2 9	1 7	K F 2 3 0 5 1 2	2351F02	9	3
K C 4 8 1 2 3 0	48C3C	2 7	2 5	K F 2 3 0 5 2 1	2352F01	9	4
K C 4 8 1 2 4 0	48C4C	2 7	2 7	K F 2 3 0 5 8 0	2358F	9	4 0
K C 4 8 1 2 5 0	48C5C	2 5	1 6	K F 2 3 0 5 8 0	2358F	4 3	2 5
K C 4 8 1 2 6 0	48C6C	2 3	8	K F 2 3 0 6 3 0	2363F	9	1 0
K C 4 8 1 2 6 0	48C6C	2 5	6	K F 2 3 0 6 3 0	2363F	2 1	4 2
K C 4 8 1 2 8 1	48C8C01	2 7	3 2	K F 2 3 0 6 4 0	2364F	9	1 2

From the library of: Diamond Needle Corp

I N D E X

L I S T No.	PART No.	PAGENO.	ITEM	L I S T No.	PART No.	PAGENO.	ITEM
K F 2 3 0 6 5 0	2365F	9	9	K G 2 3 0 6 1 0	2361G	2 1	4 9
K F 2 3 0 6 6 1	2366F01	9	1 9	K G 2 4 1 0 2 0	24A2G	1 3	1
K F 2 3 0 6 7 0	2367F	9	2 0	K G 2 4 1 0 2 0	24A2G	1 5	1
K F 2 3 0 9 1 0	2391F	9	4 7	K G 2 4 1 0 3 0	24A3G	3 7	1
K F 2 3 0 9 2 0	2392F	9	4 6	K G 2 4 1 0 3 0	24A3G	3 9	1
K F 2 3 0 9 3 0	2393F	9	4 8	K G 2 4 1 0 3 1	24A3G01	1 9	1 7
K F 2 4 0 0 3 0	2403F	1 1	2	K G 2 5 0 0 1 0	2501G	1 5	1 7
K F 2 4 0 4 2 0	2442F	1 1	1 3	K G 2 7 0 2 8 2	2728G02	4 3	2 4
K F 2 4 0 2 0 0	2420F00	1 1	3	K G 2 7 0 3 1 0	2731G	4 3	2 6
K F 2 4 0 4 4 0	2444F	1 1	4	K G 2 7 0 7 6 0	2776G	4 3	5 6
K F 2 4 0 4 5 0	2445F	1 1	5	K G 3 3 0 1 5 0	3315G	2 1	1 2
K F 2 4 0 4 6 0	2446F	1 1	1 2	K G 3 3 0 2 2 0	3322G	2 1	1 4
K F 2 4 0 4 7 0	2447F	1 1	1 1	K G 7 1 0 1 6 1	7116G01	1 9	1 9
K F 2 4 0 4 8 0	2448F	1 1	8	K L 1 1 0 9 1 0	1191L00	5	4
K F 2 4 0 4 9 0	2449F	1 1	7	K L 1 4 1 6 5 0	14G5L00	5	6
K F 2 4 0 6 1 0	2461F	1 1	1 4	K L 1 4 1 6 6 0	14G6L00	5	8
K F 2 4 0 9 0 0	2490F	1 9	2	K L 2 1 0 0 0 0	2100L00	7	2 3
K F 2 4 0 9 3 1	2493F01	1 3	1 5	K L 2 1 0 0 0 T	2100LOT	7	2 3
K F 2 4 0 9 3 1	2493F01	1 5	1 5	K L 2 1 0 0 1 0	2101L00	7	2 3
K F 2 5 0 9 0 0	2590F	7	4 2	K L 2 1 0 0 1 T	2101LOT	7	2 3
K F 3 3 0 3 8 1	3338F01	9	1 4	K L 2 1 0 1 2 0	2112L00	4 1	3 3
K F 5 3 0 1 1 0	5311F	3 3	1 5	K L 2 1 0 1 3 0	2113L00	7	4 7
K F 5 3 0 1 1 0	5311F	3 1	1 3	K L 2 1 0 1 4 0	2114L00	7	1 7
K F 5 3 0 1 1 0	5311F	3 5	1 4	K L 2 2 0 0 0 0	2200L00	7	1 6
K F 5 3 0 1 2 0	5312F	3 3	1 5	K L 2 2 0 0 1 0	2201L00	7	2 4
K F 5 3 0 1 2 0	5312F	3 1	1 3	K L 2 2 0 0 2 0	2202L00	7	2 9
K F 5 3 0 1 2 0	5312F	3 5	1 4	K L 2 2 0 0 3 0	2203L00	7	1 5
K F 5 3 0 1 5 0	5315F	3 3	1 7	K L 2 2 0 0 4 0	2204L00	7	6
K F 5 3 0 1 5 0	5315F	3 1	1 5	K L 2 2 0 0 5 0	2205L00	7	2 1
K F 5 3 0 1 5 0	5315F	3 5	1 6	K L 2 2 0 0 6 0	2206L00	7	2 5
K F 5 3 0 1 6 0	5316F	3 3	1 3	K L 2 2 0 0 7 0	2207L00	7	3 6
K F 5 3 0 1 6 0	5316F	3 1	1 1	K L 2 2 0 0 8 0	2208L00	7	1 2
K F 5 3 0 1 6 0	5316F	3 5	1 2	K L 2 2 0 0 9 0	2209L00	7	4
K F 5 3 0 1 7 0	5317F	3 3	2 7	K L 2 2 0 1 0 0	2210L00	7	1
K F 5 3 0 1 7 0	5317F	3 1	1 9	K L 2 2 0 1 1 0	2211L00	7	3
K F 5 3 0 1 7 0	5317F	3 5	8	K L 2 2 0 1 2 0	2212L00	7	4 1
K F 5 4 0 1 3 0	5413F	3 7	4 4	K L 2 2 0 1 3 0	2213L00	7	1 4
K F 5 4 0 1 3 0	5413F	3 9	4 4	K L 2 2 0 1 4 0	2214L00	7	2 0
K F 7 1 0 2 8 0	7128F	1 9	9	K L 2 2 0 1 5 0	2215L00	7	8
K F 7 3 0 7 9 0	7379F	2 3	1 4	K L 2 3 0 0 0 0	2300L00	9	1
K F 7 3 0 7 9 0	7379F	2 5	1 4	K L 2 3 0 0 1 0	2301L00	9	3 4
K G 1 5 0 4 1 2	1541G02	5	2	K L 2 3 0 0 2 0	2302L00	9	3 2
K G 2 1 0 9 1 1	2191G01	7	6 2	K L 2 3 0 0 3 0	2303L00	9	3 3
K G 2 3 0 0 2 0	2302G	9	4 4	K L 2 3 0 0 5 0	2305L00	9	5 4
K G 2 3 0 6 1 0	2361G	9	1 7	K L 2 3 0 0 7 0	2307L00	9	3 9

From the library of: Diamond Needle Corp

I N D E X

L I S T No.	PART No.	PAGENO.	ITEM	L I S T No.	PART No.	PAGENO.	ITEM
KL 2 3 0 0 8 0	2308L00	9	3 9	KL 3 1 0 0 4 0	3104L00	1 7	2 5
KL 2 3 0 1 1 0	2311L00	9	5 3	KL 3 1 0 0 5 1	3105L01	1 7	1 9
KL 2 3 0 1 2 0	2312L00	9	5 3	KL 3 1 0 0 6 0	3106L00	5	1 7
KL 2 3 0 1 3 0	2313L00	9	5 2	KL 3 2 0 0 0 0	3200L00	1 7	5 8
KL 2 3 0 1 4 0	2314L00	9	3 1	KL 3 2 0 0 2 0	3202L00	1 7	5 6
KL 2 3 0 1 7 0	2317L00	9	3 5	KL 3 3 0 0 1 0	3301L00	2 1	3 5
KL 2 3 0 1 9 0	2319L00	9	4 1	KL 3 3 0 0 2 0	3302L00	2 1	2 3
KL 2 3 0 2 0 0	2320L00	9	4 1	KL 3 3 0 0 4 0	3304L00	2 1	1 8
KL 2 3 0 2 1 0	2321L00	9	6 0	KL 3 3 0 0 5 0	3305L00	2 1	1 6
KL 2 3 0 2 2 0	2322L00	9	6 0	KL 5 4 0 1 4 0	3305L00	3 7	4 3
KL 2 5 0 0 0 0	2500L00	1 5	1 4	KL 5 4 0 1 4 0	3305L00	3 9	4 3
KL 2 5 0 0 1 0	2501L00	1 3	1 4	KN 2 3 0 4 1 0	2341N00	7	3 1
KL 2 5 0 0 4 0	2504L00	7	7	KN 2 3 0 4 3 0	2343N00	7	3 3
KL 2 5 0 0 5 0	2505L00	7	5 9	KN 2 4 0 0 3 0	2403F	3 7	2 7
KL 2 7 0 0 0 0	2700L00	4 3	3 0	KN 2 4 0 0 3 0	2403F	3 9	2 7
KL 2 7 0 0 1 0	2701L00	4 3	3 2	KN 2 7 1 6 0 0	27G0N00	4 1	2 5
KL 2 7 0 0 2 0	2702L00	4 3	3 1	KN 2 7 1 6 5 1	27G5N01	4 1	4
KL 2 7 0 0 3 0	2703L00	4 3	3 3	KN 2 7 1 6 6 1	27G6N01	4 1	5
KL 2 7 0 0 4 0	2704L00	4 3	3 5	KN 2 7 1 7 1 1	27H1N00	4 5	1 9
KL 2 7 0 0 5 0	2705L00	4 3	3 6	KN 2 7 1 7 1 2	27H1N02	4 7	2 2
KL 2 7 0 0 6 0	2706L00	4 3	3 7	KN 2 7 1 8 3 0	27I3N00	4 5	2 6
KL 2 7 0 0 7 0	2707L00	4 3	3 9	KN 2 7 1 8 9 0	27I9N00	4 1	2 4
KL 2 7 0 0 8 0	2708L00	4 3	1 1	KN 2 7 2 3 5 0	27N5N00	4 5	8
KL 2 7 0 0 9 0	2709L00	4 3	2 1	KN 2 7 2 3 5 0	27N5N00	4 7	8
KL 2 7 0 1 0 0	2710L00	4 3	1 5	KN 3 1 2 8 1 0	31S1N00	1 7	1 7
KL 2 7 0 1 1 0	2711L00	4 3	1 8	KN 3 1 2 8 2 0	31S2N00	1 7	3 0
KL 2 7 0 1 2 0	2712L00	4 3	1 7	KN 3 1 3 6 7 0	31AHN00	1 7	1 0
KL 2 7 0 1 3 0	2713L00	4 3	1 6	KN 3 1 4 5 9 0	31DVY00	1 7	4 6
KL 2 7 0 1 4 0	2714L00	4 3	1 4	KN 3 1 4 6 0 0	31DWH00	1 7	4 6
KL 2 7 0 1 5 0	2715L00	4 3	1 3	KN 3 1 4 6 1 0	31DXN00	1 7	4 6
KL 2 7 0 1 6 0	2716L00	4 3	1 2	KN 3 1 4 6 2 0	31DYN00	1 7	4 6
KL 2 7 0 1 7 0	2717L00	4 3	9	KN 3 1 5 1 1 0	31FVN00	1 7	4 2
KL 2 7 0 1 8 0	2718L00	4 3	6	KN 3 1 5 1 3 0	31FXN00	1 7	7
KL 2 7 0 1 9 0	2719L00	4 3	8	KN 3 3 0 1 1 0	3311N00	2 9	1
KL 2 7 0 2 0 0	2720L00	4 3	7	KN 3 3 0 1 2 1	3312N01	2 1	3 7
KL 2 7 0 2 1 0	2721L00	4 3	2	KN 3 3 0 2 4 0	3324Y00	2 1	4 5
KL 2 7 0 2 2 0	2722L00	4 3	1	KN 3 3 0 2 5 0	3325Y00	2 1	4 6
KL 2 7 0 2 3 0	2723L00	4 3	4	KN 3 3 2 0 1 0	33K1N00	2 1	3 7
KL 2 7 0 2 4 0	2724L00	4 3	3	KN 4 7 0 1 5 1	4715N01	2 7	5 6
KL 2 7 0 2 5 0	2725L00	4 3	2 3	KN 4 7 0 1 6 0	4716N00	2 9	4
KL 2 7 0 2 6 0	2726L00	4 3	1 9	KN 4 7 0 6 9 0	4769N00	2 7	1 2
KL 2 7 0 2 7 0	2727L00	4 3	2 2	KN 4 8 0 0 6 1	4806N01	2 7	5 9
KL 3 1 0 0 1 0	3101L00	1 7	2	KN 4 8 0 0 6 1	4806N01	2 9	5 2
KL 3 1 0 0 2 0	3102L00	1 7	5 0	KN 4 8 0 4 0 0	4840N00	2 3	2
KL 3 1 0 0 3 0	3103L00	1 7	5 1	KN 4 8 0 4 0 0	4840N00	2 5	2

From the library of: Diamond Needle Corp

I N D E X

L I S T No.	PART No.	PAGENO.	ITEM	L I S T No.	PART No.	PAGENO.	ITEM
KN 4 8 0 7 9 0	4879N00	2 7	1 7	KN 5 4 0 7 5 0	5475N00	3 9	2 4
KN 4 8 2 6 0 0	48Q0N00	2 3	7	KN 5 4 0 7 6 0	5476N00	3 7	2 0
KN 4 8 2 6 3 0	48Q3N00	2 9	1 4	KN 5 4 0 7 6 0	5476N00	3 9	2 0
KN 4 8 2 6 4 0	48Q4N00	2 9	5 1	KN 5 4 0 7 8 0	5478N00	3 7	2 8
KN 4 9 0 1 2 0	4912N00	2 9	9	KN 5 4 0 7 8 0	5478N00	3 9	2 8
KN 4 9 0 1 3 0	4913N00	2 9	8	KN 5 4 0 8 1 0	5418N00	3 7	3 1
KN 4 9 0 1 4 0	4914N00	2 9	7	KN 5 4 0 8 1 0	5418N00	3 9	3 1
KN 4 9 0 1 5 0	4915N00	2 9	5	KN 5 4 0 8 2 0	5482N00	3 7	3 2
KN 4 9 0 2 0 0	4920N00	2 7	8	KN 5 4 0 8 2 0	5482N00	3 9	3 2
KN 5 1 1 0 2 0	51A2N00	1 7	3 5	KN51040012300	5140C	1 3	1 8
KN 5 4 0 5 0 0	5450N00	3 7	8	KN51040012300	5140C	1 5	1 8
KN 5 4 0 5 0 0	5450N00	3 9	8	KU 4 7 0 1 1 0	4711U00	2 5	1 0
KN 5 4 0 5 1 0	5451N00	3 7	6	KU 4 7 0 1 5 1	4715U01	2 5	9
KN 5 4 0 5 1 0	5451N00	3 9	6	KU 4 8 0 1 6 0	4816U00	2 5	4
KN 5 4 0 5 2 0	5452N00	3 7	5	MA 2 2 0 5 1 0	2251A	7	4 5
KN 5 4 0 5 2 0	5452N00	3 9	5	MA 2 5 0 1 3 1	2513A01	7	4 3
KN 5 4 0 5 3 0	5453N00	3 7	4	MA 4 5 0 6 6 0	4566A	2 5	1
KN 5 4 0 5 4 0	5454N00	3 9	4	MA 4 7 1 0 2 0	47A2A	2 5	1 1
KN 5 4 0 5 5 0	5455N00	3 7	1 0	TF 2 3 0 6 4 0	2364F	4 1	3 1
KN 5 4 0 5 6 0	5456N00	3 9	1 0	WW 3 1 0 2 1 0	3121W00	1 7	3 1
KN 5 4 0 5 7 0	5457N00	3 7	1 5				
KN 5 4 0 5 8 0	5458N00	3 9	1 5				
KN 5 4 0 5 9 0	5459N00	3 7	9				
KN 5 4 0 5 9 0	5459N00	3 9	9				
KN 5 4 0 6 0 0	5460N00	3 7	2 9				
KN 5 4 0 6 0 0	5460N00	3 9	2 9				
KN 5 4 0 6 1 0	5461N00	3 7	7				
KN 5 4 0 6 1 0	5461N00	3 9	7				
KN 5 4 0 6 2 0	5462N00	3 7	2 3				
KN 5 4 0 6 2 0	5462N00	3 9	2 3				
KN 5 4 0 6 3 0	5463N00	3 7	2				
KN 5 4 0 6 4 0	5464N00	3 9	2				
KN 5 4 0 6 5 0	5465N00	3 7	1 4				
KN 5 4 0 6 5 0	5465N00	3 9	1 4				
KN 5 4 0 6 6 0	5466N00	3 7	3 0				
KN 5 4 0 6 6 0	5466N00	3 9	3 0				
KN 5 4 0 7 0 0	5470N00	3 7	2 6				
KN 5 4 0 7 0 0	5470N00	3 9	2 6				
KN 5 4 0 7 1 0	5471N00	3 7	3				
KN 5 4 0 7 1 0	5471N00	3 9	3				
KN 5 4 0 7 2 0	5472N00	3 7	1 3				
KN 5 4 0 7 2 0	5472N00	3 9	1 3				
KN 5 4 0 7 3 0	5473N00	3 7	2 5				
KN 5 4 0 7 3 0	5473N00	3 9	2 5				
KN 5 4 0 7 5 0	5475N00	3 7	2 4				

From the library of: Diamond Needle Corp